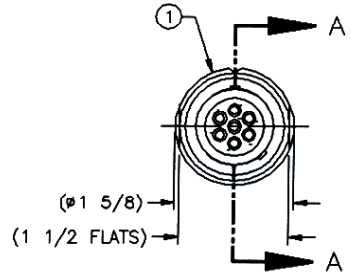
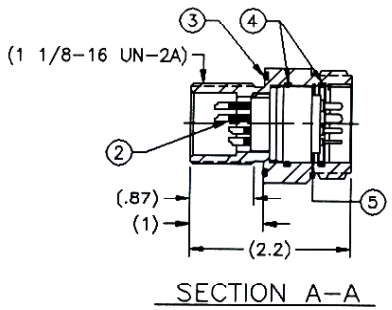


**NOTICE**  
 The information disclosed herein was originated by and is the property of BIRNS Inc. Except for uses which may be expressly granted, BIRNS Inc. reserves all patent, proprietary, design, use, sale, manufacturing and reproduction rights in and to said information and this document.

REVISIONS				
ZONE	LTR	DESCRIPTION	DATE	APPROVED
	B	INITIAL DRAWING RELEASE	960424	E.BIRNS

- NOTES:**
1. APPLY A LIGHT COAT OF ITEM 6 TO O-RINGS PRIOR TO ASSY.
  2. PRESSURE RATING: 8890 PSIG. (20K FSW) MAX.



ITEM	QTY	PART NO.	DESCRIPTION	MATERIAL	SPEC
6	AR	52K-005	GREASE	SILICONE	FOOD GRADE
5	1	56B-D09	SNAP RING, UR-106-S	S.S.	302
4	2	59A-092	O-RING, 2-023	BUNA	N674-70
3	1	59A-061	O-RING, 2-026	BUNA	N674-70
2	1	MO-RIP	INSERT ASSY, PIN, MINI-0	GRE	COSMIC E-484
1	1	24E-164	SHELL, MO-BR	S.S.	316

MATERIAL	
TREATMENT	
FINISH	
NEXT ASSY	USED ON
APPLICATION	


UNLESS OTHERWISE SPECIFIED:  
 DIMENSIONS ARE IN INCHES  
 ALL DIMENSIONS TO APPLY AFTER PLATING  
 .000 ± .0006  
 .000 ± .005  
 .00 ± .010  
 .0 ± .015  
 FRACTIONS ± 1/32  
 ANGULAR ± 1/2  
 RAUGHNESS  $\sqrt{R}$   
 METRIC ± .5  
 DRILLED HOLES UP TO 1/2" + .005 - .001  
 RADIUS ALL SHARP EDGES .008-.015  
 RADIUS BLEND ALL CHAMFERS FILLET RADII TO BE .015

CONTRACT NUMBER	
DRAWN J.K.O.	DATE 960402
CHECK J.K.O.	DATE
ENGR J.K.O.	DATE 960403
QA J.MAGLAQUE	DATE 960403
APPROVED E.BIRNS	DATE 960423

BIRNS, Inc. Tel: 805-487-5393 Main Plant: 1720 FISKE PLACE, OXNARD CA, 93033		
TITLE		
MINI-0 BULKHEAD RECEPTACLE, FACE SEAL		
SIZE	CAGE CODE	DWG NO.
C	58608	MO-BR
SCALE	1/1	UNIT WT. .5 LB. SHEET