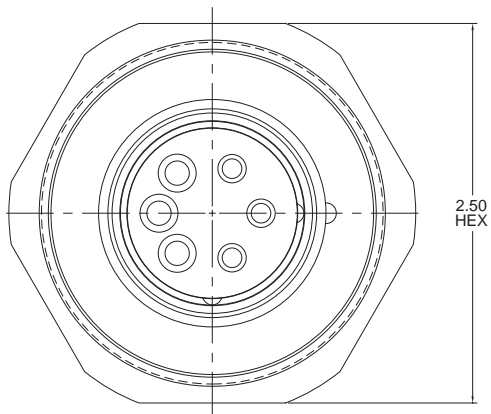




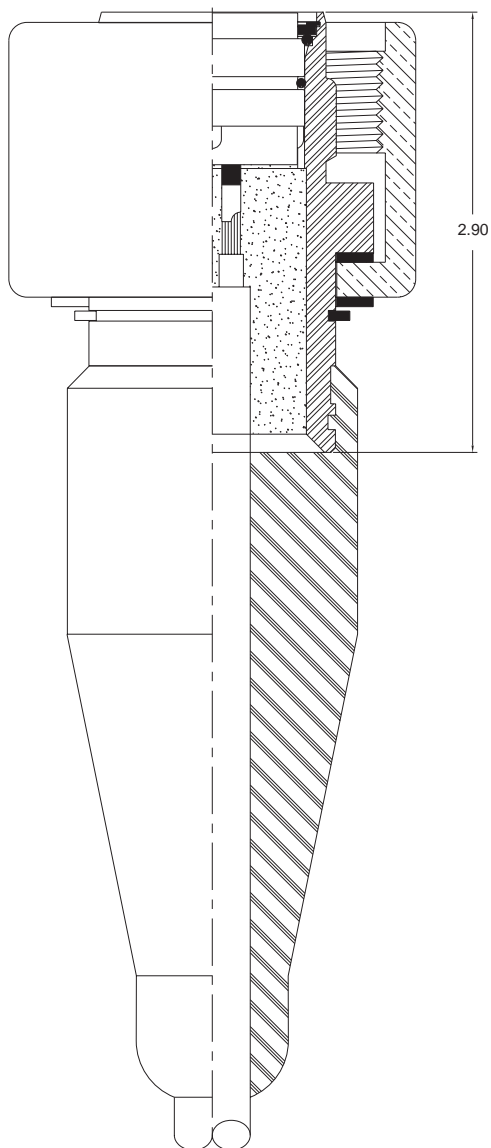
Metal Shell Series

MSSM-CP



**MATERIAL:**  
 SHELL: 316 SS PASSIVATED PER QQ-P-35 TYPE VI  
 NUT: BRASS 464 PER ASTM B21  
 INSERT: GRE, BIRNS 52G-012  
 CONTACT: BRASS, GOLD PLATED PER MIL-G-45204  
 WITH STAGGERED/INSULATED SOLDER POT

**MATES WITH:**  
 MSSM-BR  
 MSSM-FR  
 MSSM-CR  
 MSSM-OR



MSSM-CP

1720 Fiske Place • Oxnard, California 93033-1863  
 Phone: (805) 487-5393 • FAX: (805) 487-0427 • Email: [service@birns.com](mailto:service@birns.com)

[www.birns.com](http://www.birns.com)

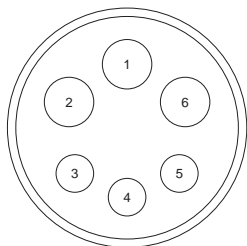
USA Toll-Free:  
**888-BIRNS-88**



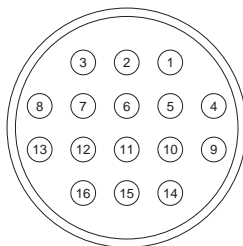
Metal Shell Series

MSSM-CP

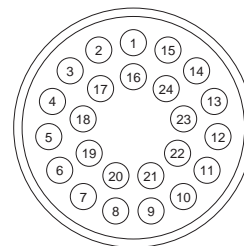
PIN CONFIGURATION



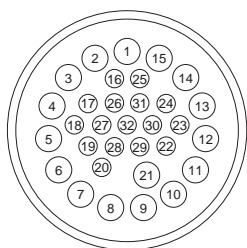
3 #8  
3 #10



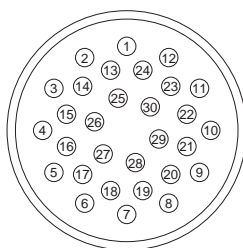
16 #16



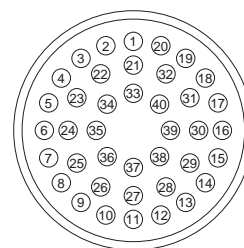
24 #16



16 #16  
16 #20



30 #20



40 #20

MSSM-CP

1720 Fiske Place • Oxnard, California 93033-1863  
 Phone: (805) 487-5393 • FAX: (805) 487-0427 • Email: [service@birns.com](mailto:service@birns.com)

[www.birns.com](http://www.birns.com)

USA Toll-Free:  
**888-BIRNS-88**