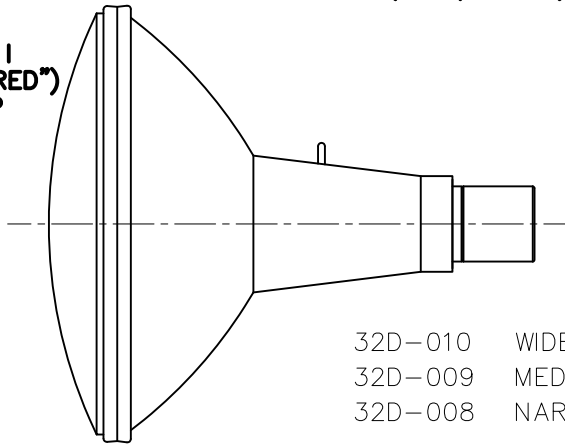


KELVIN LAMP (120V/1000W)

TYPE I
("ARMOURED")
LAMP

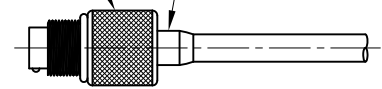


- 32D-010 WIDE BEAM
- 32D-009 MEDIUM BEAM
- 32D-008 NARROW BEAM

MATING CABLE

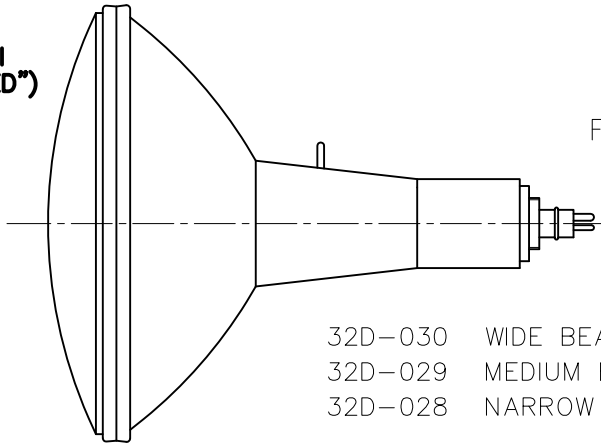
63A-001
MALE DELRIN
LOCKING SLEEVE

CEF3S CONNECTOR



CEF3S14-XX

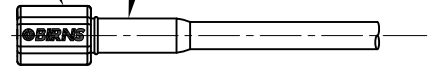
TYPE II
("EXTENDED")
LAMP



- 32D-030 WIDE BEAM
- 32D-029 MEDIUM BEAM
- 32D-028 NARROW BEAM

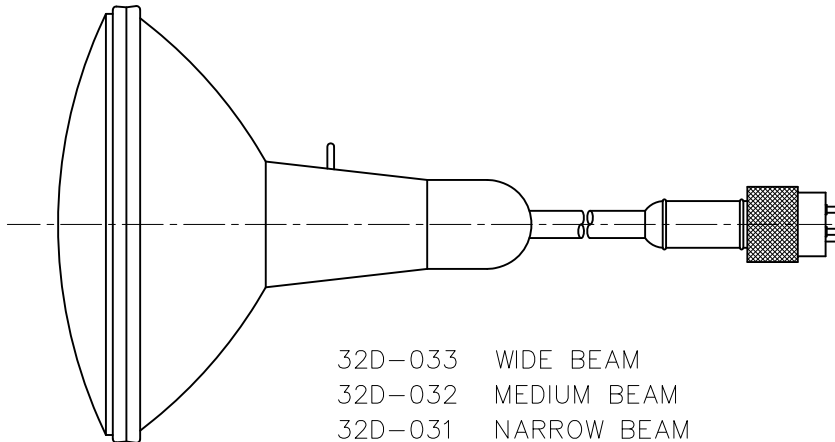
63A-003
FEMALE STAINLESS
LOCKING SLEEVE

CEF3S CONNECTOR



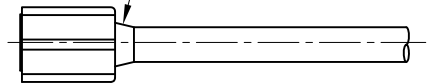
CEF3S16-XX

TYPE III
("INTEGRAL CABLE")
LAMP



- 32D-033 WIDE BEAM
- 32D-032 MEDIUM BEAM
- 32D-031 NARROW BEAM

AQUAMATE IL3F
CONNECTOR



CIF3S16-XX