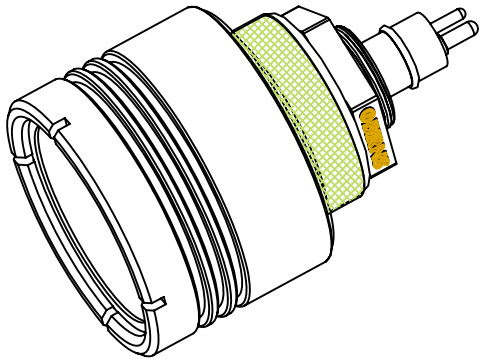
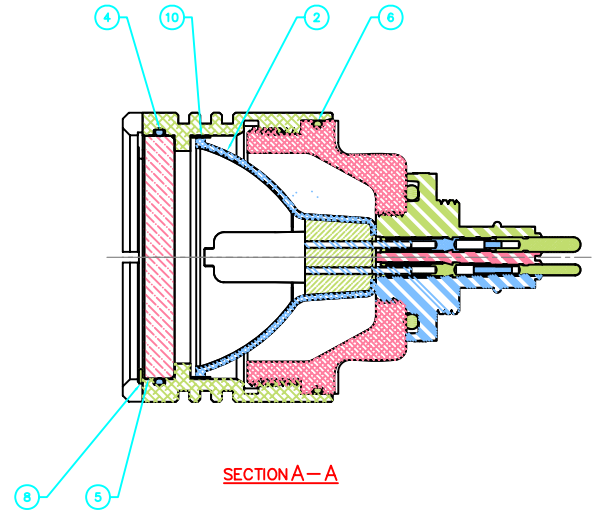
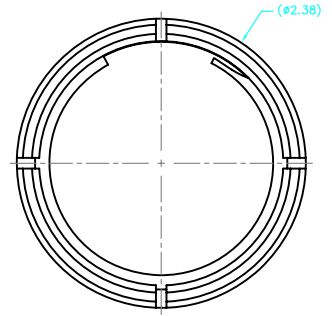
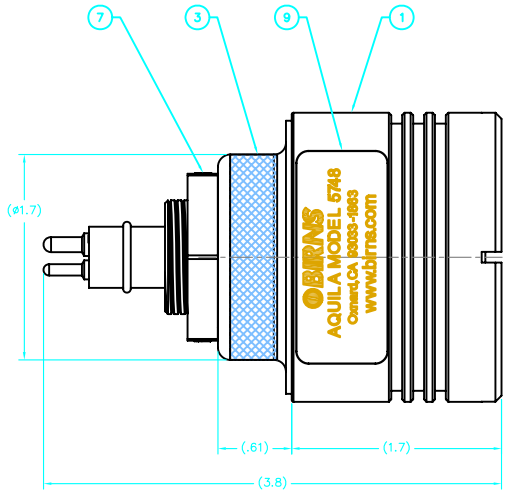


UNLESS OTHERWISE SPECIFIED:  
 DIMENSIONS ARE IN INCHES  
 UNLESS OTHERWISE SPECIFIED

REVISIONS							
ZONE	DRWN	CHKD	APPR	REV	DESCRIPTION	DATE	ECN
1	YHW	SE	JDA	A	UPDATE ITEM #7, WAS:BEM2P-S IS: BEM2P-S2	081027	000228

NOTES: UNLESS OTHERWISE SPECIFIED.  
 1 STANDARD LAMP FOR THIS ASSEMBLY IS 32C-005  
 SEE TABLE, "LAMPS AVAILABLE" FOR OTHER OPTIONS.

PRODUCTION  
 RELEASE



1

LAMPS AVAILABLE	
PART NO.	DESCRIPTION
32C-001	12V/20W
32C-002	12V/50W
32C-003	12V/100W
32C-004	24V/200W
32C-006	30V/80W
32C-010	12V/75W
32C-005	24V/250W

QTY	QTY	PART OR IDENTIFYING NO.	NOMENCLATURE OR DESCRIPTION	MATERIAL SPECIFICATION	ZONE	ITEM NO		
1	1	52B-001	ANTI-SHOCK FOAM CUSHION			10		
1	1	47A-046	LABEL, AQUILA			9		
1	1	56B-103	SNAP RING, (WH-200)	S.S.		8		
1	1	BEM2P-S2	CONNECTOR	GRE		7		
1	1	59A-189	O-RING, (2-034)	SILICONE S604-70		6		
1	1	35C-002	LENS	SILICA		5		
1	1	59A-188	O-RING, (2-033)	SILICONE S604-70		4		
1	1	56F-055	REAR NUT	6061-T6 AL		3		
1	1	32C-XXX	PROJECTION LAMP	SEE NOTE 1		2		
1	1	28B-045	HOUSING, AQUILA (REDESIGN)	6061-T6 AL		1		
-3	-2	-1	CAGE CODE	PART OR IDENTIFYING NO.	NOMENCLATURE OR DESCRIPTION	MATERIAL SPECIFICATION	ZONE	ITEM NO

UNLESS OTHERWISE SPECIFIED DIMENSIONS ARE IN INCHES AND PER ASME Y14.5-1994  
 TOLERANCES ARE: X ± .015  
 .XX ± .01  
 .XXX ± .005  
 .XXXX ± .0005  
 .X ± .03  
 1/X ± 1/32

CONTRACT: **BIRNS** 1720 FIRRE PLACE, ORLANDO, FL 32833-1883 U.S.A.  
 TEL: (407) 467-4300 FAX: (407) 467-4327 www.birns.com

DRN	K. WOOD	080825	FILE
CHK	J. ANDERSEN	080825	
DESIGN	K. WOOD	080825	
ENGR	J. ANDERSEN	080825	
CHK	J. MAGLAQUE	080825	
APPD	E. BIRNS		

**AQUILA ASSEMBLY**

SCALE: 2/1 UNIT WT.: SHEET 1 OF 1

3D VIEW(S) FOR REFERENCE ONLY

APPLICATION	USED ON