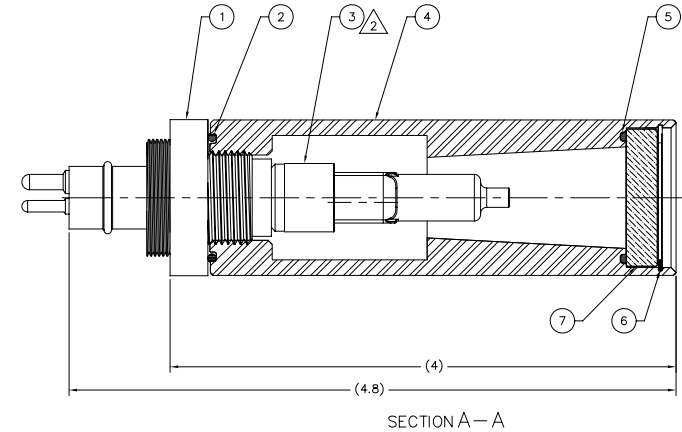
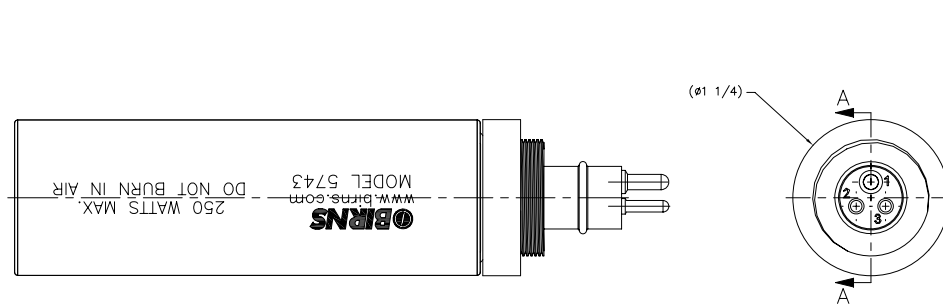


BIRNS, INC.
 PROPRIETARY INFORMATION
 THE DESIGN, CONSTRUCTION AND OPERATION OF THIS LAMP IS THE PROPERTY OF BIRNS, INC. AND IS NOT TO BE REPRODUCED OR TRANSMITTED IN ANY FORM OR BY ANY MEANS, ELECTRONIC OR MECHANICAL, INCLUDING PHOTOCOPYING, RECORDING, OR BY ANY INFORMATION STORAGE AND RETRIEVAL SYSTEM, WITHOUT THE WRITTEN PERMISSION OF BIRNS, INC.

REVISIONS				
ZONE	REV	DESCRIPTION	DATE	APPROVED
	A	REDESIGN & REDRAW	070228	E. BIRNS
	B	ADDED WIRING DIAGRAM		

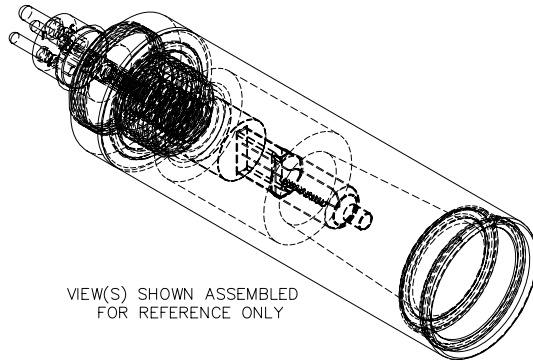
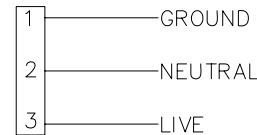
NOTES: UNLESS OTHERWISE SPECIFIED.

1. APPLY A LIGHT COAT OF 52K-005 GREASE TO O-RINGS PRIOR TO ASSEMBLY.
2. SEE TABLE 1 FOR ALTERNATE LAMP OPTIONS.
3. SOME HIDDEN LINES OMITTED FOR CLARITY.
4. STANDARD LAMP IS 32B-004.



WIRING DIAGRAM

BEM3P-S4-ML



VIEW(S) SHOWN ASSEMBLED FOR REFERENCE ONLY

LAMPS AVAILABLE	
PART NO.	DESCRIPTION
32B-002	120V/100W
32B-003	120V/150W
32B-015	240V/150W
32B-016	240V/100W
32B-017	240V/250W
32B-004	120V/250W

1	35C-001	LENS, MITEYLITE	BOROSILICATE	7		
1	56B-093	SNAP RING, VH-112	S.S.	6		
1	59A-079	O-RING, 2-021, 70, BUNA	BUNA 70	5		
1	28E-013	MITEYLITE HOUSING S.S.	304 S.S.	4		
1	32B-XXX	MINI-CAN LAMP	QUARTZ	3		
1	59A-026	O-RING, 2-020, 70 BUNA	BUNA 70	2		
1	BEM3P-S4-ML	CONNECTOR, MITEYLITE	VARIOUS	1		
QTY	CAGE	PART OR	NOMENCLATURE	MATERIAL	ZONE	ITEM
REQD	CODE	IDENTIFYING NO.	OR DESCRIPTION	SPECIFICATION		NO.

UNLESS OTHERWISE SPECIFIED DIMENSIONS ARE IN INCHES AND PER ASME Y14.5-1994 TOLERANCES ARE: .XX ± .015 .XXX ± .01 .XXXX ± .0005 . ± .5'

CONTRACTOR: DWG: K. WOOD DATE: 070227 TITLE: MITEYLITE, S.S.

DESIGN: ENGR: W. WANG 950124

CHK: J. KO 950124

ENGR: J. MAGLAQUE 950125

APPD: E. BIRNS 950131

SCALE: 2/1 UNIT WT.: SHEET 1 OF 1