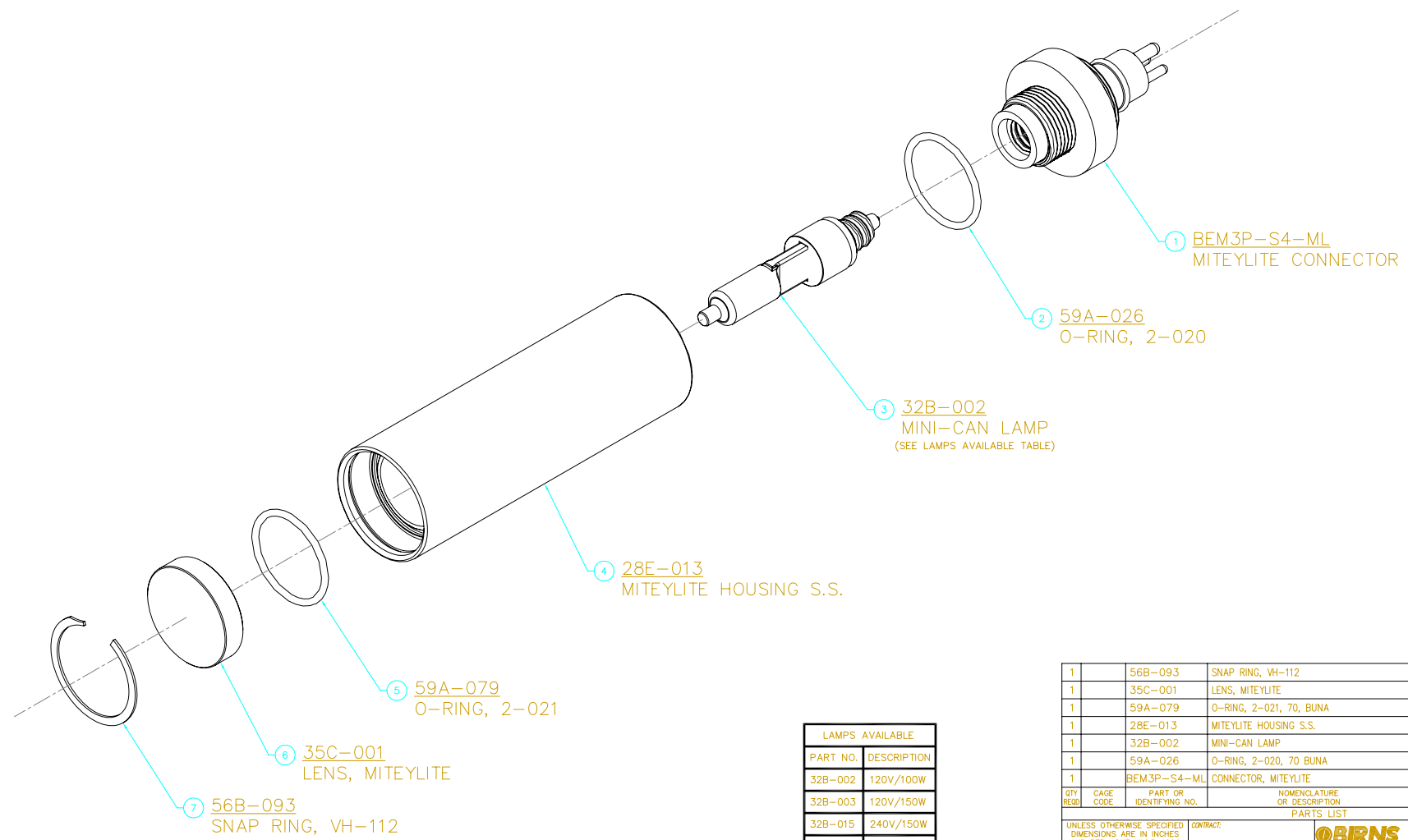


BRNS, INC.  
 PROPRIETARY INFORMATION  
 THIS DRAWING IS THE PROPERTY OF BRNS, INC. AND IS NOT TO BE REPRODUCED OR TRANSMITTED IN ANY FORM OR BY ANY MEANS, ELECTRONIC OR MECHANICAL, INCLUDING PHOTOCOPYING, RECORDING, OR BY ANY INFORMATION STORAGE AND RETRIEVAL SYSTEM, WITHOUT THE WRITTEN PERMISSION OF BRNS, INC.

REVISIONS				
ZONE	REV	DESCRIPTION	DATE	APPROVED

NOTES: UNLESS OTHERWISE SPECIFIED.



LAMPS AVAILABLE	
PART NO.	DESCRIPTION
32B-002	120V/100W
32B-003	120V/150W
32B-015	240V/150W
32B-016	240V/100W
32B-017	240V/250W
32B-004	120V/250W

QTY	PART OR IDENTIFYING NO.	NOMENCLATURE OR DESCRIPTION	MATERIAL SPECIFICATION	ZONE	ITEM NO.
1	56B-093	SNAP RING, VH-112	S.S.		7
1	35C-001	LENS, MITEYLITE	BOROSILICATE		6
1	59A-079	O-RING, 2-021, 70, BUNA	BUNA 70		5
1	28E-013	MITEYLITE HOUSING S.S.	304 S.S.		4
1	32B-002	MINI-CAN LAMP	QUARTZ		3
1	59A-026	O-RING, 2-020, 70 BUNA	BUNA 70		2
1	BEM3P-S4-ML	CONNECTOR, MITEYLITE	VARIOUS		1

UNLESS OTHERWISE SPECIFIED DIMENSIONS ARE IN INCHES AND PER ASME Y14.5-1994 TOLERANCES ARE: .XX ± .015 .XX ± .01 .XXX ± .005 .XXXX ± .0005 < ± .5		CONTRACT: DWG NO. 070628	 1720 FISKE PLACE, DUNWOOD, GA 30035-1863 U.S.A. TEL: (404) 487-5388 FAX: (404) 487-0427 www.brns.com
FINISH: SURFACE ROUGHNESS .005/.015 EDGE BREAK 63		TITLE: MITEYLITE, S.S. SIZE: D 58608 DWG NO.: 5743-01-20 SCALE: 2/1 UNIT WT.: SHEET 1 OF 1	


APPLICATION

DO NOT SCALE DRAWING