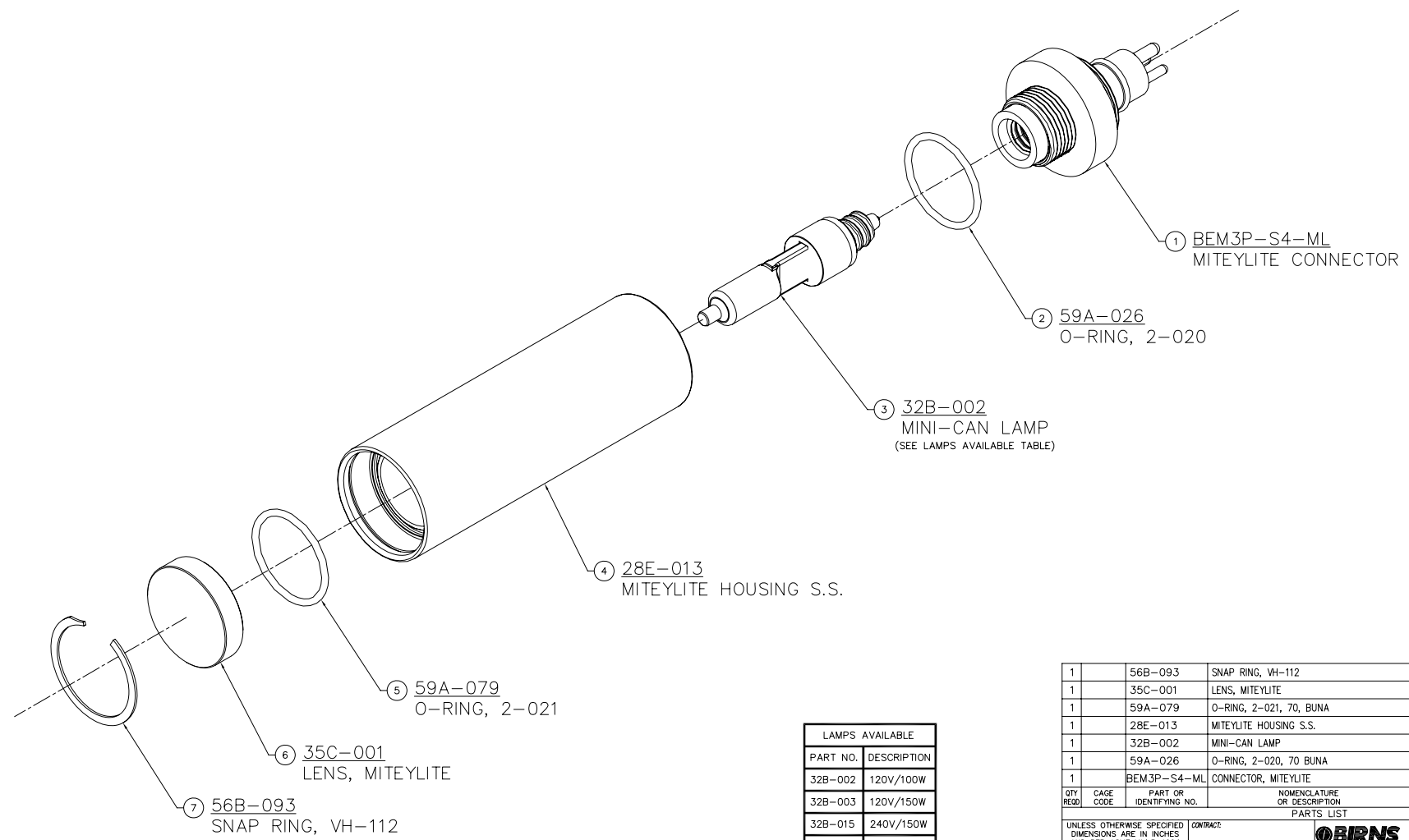


BIRNS, INC.
 PROPRIETARY INFORMATION
 THIS DRAWING IS THE PROPERTY OF BIRNS, INC. AND IS NOT TO BE REPRODUCED OR TRANSMITTED IN ANY FORM OR BY ANY MEANS, ELECTRONIC OR MECHANICAL, INCLUDING PHOTOCOPYING, RECORDING, OR BY ANY INFORMATION STORAGE AND RETRIEVAL SYSTEM, WITHOUT THE WRITTEN PERMISSION OF BIRNS, INC.

REVISIONS				
ZONE	REV	DESCRIPTION	DATE	APPROVED

NOTES: UNLESS OTHERWISE SPECIFIED.



LAMPS AVAILABLE	
PART NO.	DESCRIPTION
32B-002	120V/100W
32B-003	120V/150W
32B-015	240V/150W
32B-016	240V/100W
32B-017	240V/250W
32B-004	120V/250W

QTY	CAGE	PART OR	NOMENCLATURE	MATERIAL	ZONE	ITEM
REQD	CODE	IDENTIFYING NO.	OR DESCRIPTION	SPECIFICATION		NO
1		56B-093	SNAP RING, VH-112	S.S.		7
1		35C-001	LENS, MITEYLITE	BOROSILICATE		6
1		59A-079	O-RING, 2-021, 70, BUNA	BUNA 70		5
1		28E-013	MITEYLITE HOUSING S.S.	304 S.S.		4
1		32B-002	MINI-CAN LAMP	QUARTZ		3
1		59A-026	O-RING, 2-020, 70 BUNA	BUNA 70		2
1		BEM3P-S4-ML	CONNECTOR, MITEYLITE	VARIOUS		1

UNLESS OTHERWISE SPECIFIED
 DIMENSIONS ARE IN INCHES
 AND PER ASME Y14.5-1994
 TOLERANCES ARE: .X ± .015
 .XX ± .01
 .XXX ± .005
 .XXXX ± .0005
 < ± .5

CONTRACT: **BIRNS** 1720 FIRKE PLACE, DUNN, CA 95033-1863 U.S.A.
 TEL: (909) 487-5384 FAX: (909) 487-0427 www.birns.com

DESIGN: K. WOOD DATE: 07/06/28 TITLE: MITEYLITE, S.S.

ENGR:
 QA:
 APD:

FINISH:
 SURFACE ROUGHNESS: 6.3
 EDGE BREAK: .005/.015

APPLICATION: DO NOT SCALE DRAWING

SIZE: D 588608 DWG NO: 5743-01-20 REV:
 SCALE: 2/1 UNIT WT.: SHEET 1 OF 1