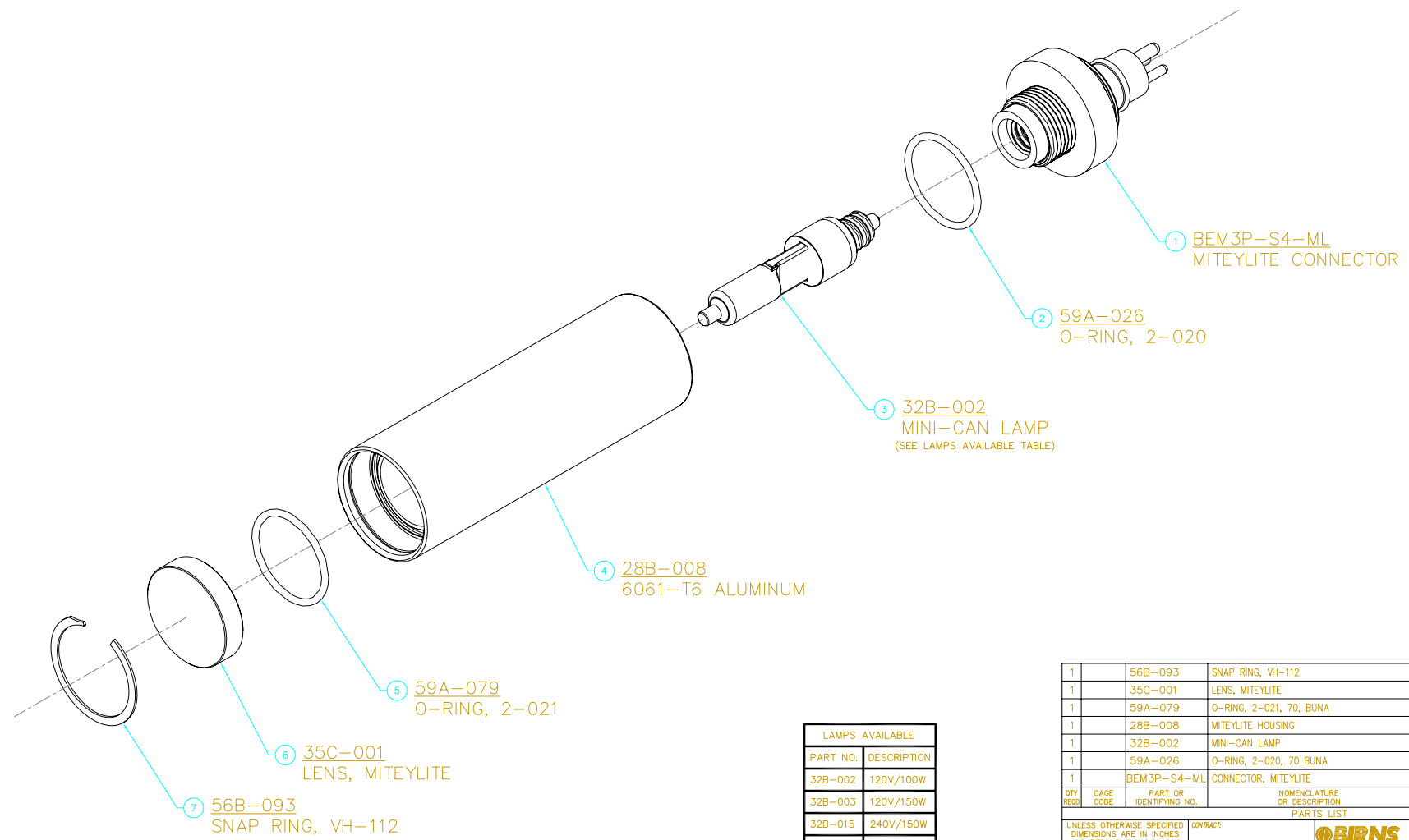


BIRNS, INC.
 PROPRIETARY INFORMATION
 THIS DRAWING IS THE PROPERTY OF BIRNS, INC. AND IS NOT TO BE REPRODUCED OR TRANSMITTED IN ANY FORM OR BY ANY MEANS, ELECTRONIC OR MECHANICAL, INCLUDING PHOTOCOPYING, RECORDING, OR BY ANY INFORMATION STORAGE AND RETRIEVAL SYSTEM, WITHOUT THE WRITTEN PERMISSION OF BIRNS, INC.

REVISIONS				
ZONE	REV	DESCRIPTION	DATE	APPROVED

NOTES: UNLESS OTHERWISE SPECIFIED.



1 BEM3P-S4-ML
MITEYLITE CONNECTOR

2 59A-026
O-RING, 2-020

3 32B-002
MINI-CAN LAMP
(SEE LAMPS AVAILABLE TABLE)

4 28B-008
6061-T6 ALUMINUM

5 59A-079
O-RING, 2-021

6 35C-001
LENS, MITEYLITE

7 56B-093
SNAP RING, VH-112

LAMPS AVAILABLE	
PART NO.	DESCRIPTION
32B-002	120V/100W
32B-003	120V/150W
32B-015	240V/150W
32B-016	240V/100W
32B-017	240V/250W
32B-004	120V/250W

QTY REQD	CAGE CODE	PART OR IDENTIFYING NO.	NOMENCLATURE OR DESCRIPTION	MATERIAL SPECIFICATION	ZONE	ITEM NO
1	56B-093	SNAP RING, VH-112		S.S.		7
1	35C-001	LENS, MITEYLITE		BOROSILICATE		6
1	59A-079	O-RING, 2-021, 70, BUNA		BUNA 70		5
1	28B-008	MITEYLITE HOUSING		6061-T6 ALUMINUM		4
1	32B-002	MINI-CAN LAMP		QUARTZ		3
1	59A-026	O-RING, 2-020, 70 BUNA		BUNA 70		2
1	BEM3P-S4-ML	CONNECTOR, MITEYLITE		VARIOUS		1

UNLESS OTHERWISE SPECIFIED DIMENSIONS ARE IN INCHES AND PER ASME Y14.5-1994 TOLERANCES ARE: .XX ± .015 .XXX ± .01 .XXXX ± .005 < ± .5

CONTRACT: 1720 FISKE PLACE, DOWRIDGE, CA 90333-1863 U.S.A. TEL: (909) 487-5338 FAX: (909) 487-0427 www.birns.com

BIRNS

DESIGN: K. WOOD DATE: 07/06/28 TITLE: MITEYLITE, ALUM. 15K FSW (4500m)

ENGR: QA DWG NO: 5742-01-20

SCALE: 2/1 UNIT WT.: SHEET 1 OF 1

FINISH: SURFACE ROUGHNESS: 6.3 EDGE BREAK: .005/.015

APPLICATION: NEXT ASSY USED ON

DO NOT SCALE DRAWING