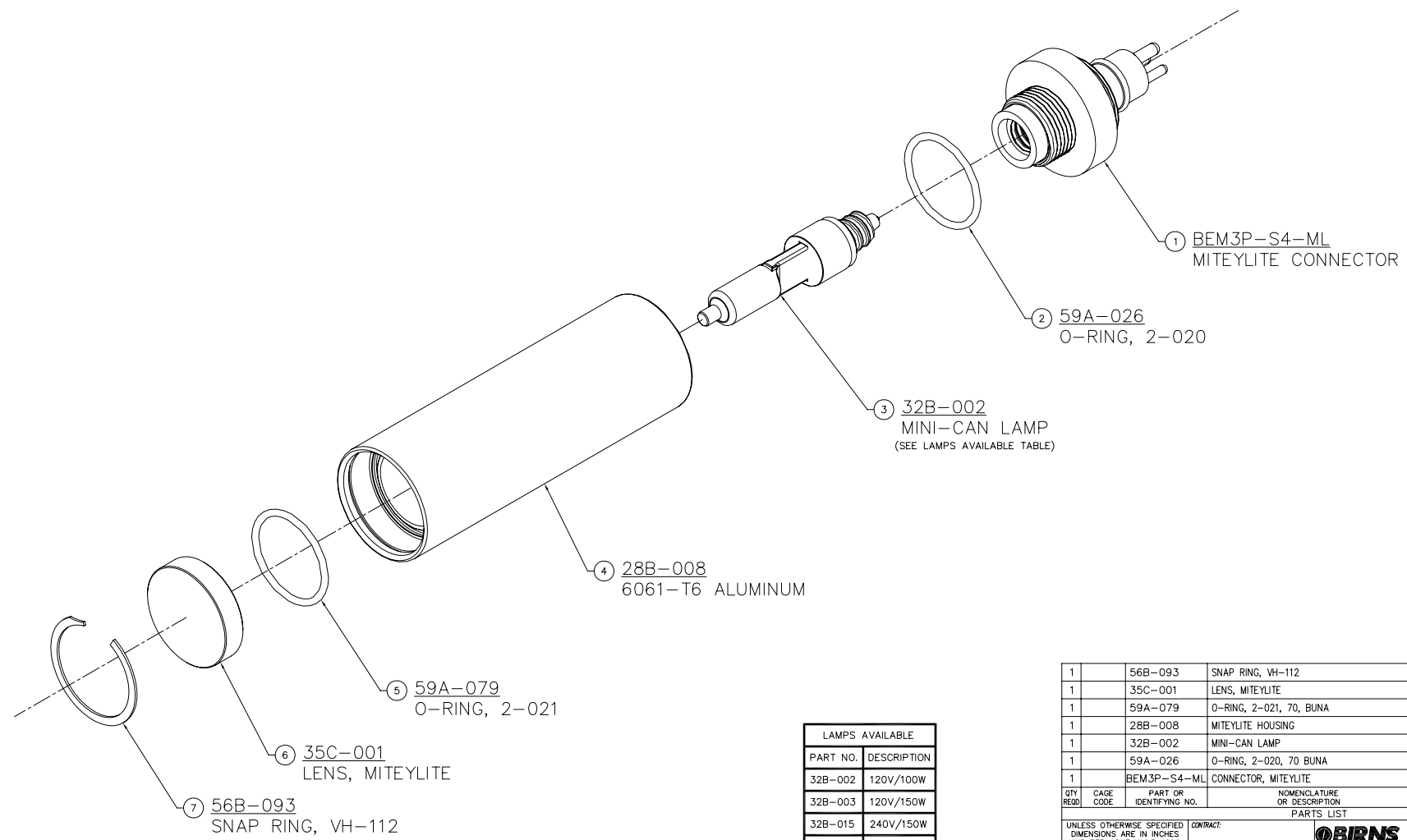


BIRNS, INC.
 PROPRIETARY INFORMATION
 THIS DRAWING IS THE PROPERTY OF BIRNS, INC.
 NO PARTS OF THIS DRAWING ARE TO BE REPRODUCED
 OR TRANSMITTED IN ANY FORM OR BY ANY MEANS
 WITHOUT THE WRITTEN PERMISSION OF BIRNS, INC.

REVISIONS				
ZONE	REV	DESCRIPTION	DATE	APPROVED

NOTES: UNLESS OTHERWISE SPECIFIED.



LAMPS AVAILABLE	
PART NO.	DESCRIPTION
32B-002	120V/100W
32B-003	120V/150W
32B-015	240V/150W
32B-016	240V/100W
32B-017	240V/250W
32B-004	120V/250W

QTY	CAGE CODE	PART OR IDENTIFYING NO.	NOMENCLATURE OR DESCRIPTION	MATERIAL SPECIFICATION	ZONE	ITEM NO
1		56B-093	SNAP RING, VH-112	S.S.		7
1		35C-001	LENS, MITEYLITE	BOROSILICATE		6
1		59A-079	O-RING, 2-021, 70, BUNA	BUNA 70		5
1		28B-008	MITEYLITE HOUSING	6061-T6 ALUMINUM		4
1		32B-002	MINI-CAN LAMP	QUARTZ		3
1		59A-026	O-RING, 2-020, 70 BUNA	BUNA 70		2
1		BEM3P-S4-ML	CONNECTOR, MITEYLITE	VARIOUS		1

PARTS LIST		CONTRACT:		TITLE	
UNLESS OTHERWISE SPECIFIED DIMENSIONS ARE IN INCHES AND PER ASME Y14.5-1994 TOLERANCES ARE: .XX ± .015 .XX ± .01 .XXX ± .005 .XXXX ± .0005 < ± .5		DWG	K. WOOD	DATE	07/02/28
FINISH: SURFACE ROUGHNESS EDGE BREAK		DESIGN		MITEYLITE, ALUM. 15K FSW (4500m)	
NEXT ASSY USED ON APPLICATION		ENGR		SIZE	DWG NO.
		QA		D	58608
		APPROV		SCALE:	2/1 UNIT WT.: 5742-01-20
					REV -
					SHEET 1 OF 1

BIRNS 1720 FINE PLACE, DONARD, GA 30235-1863 U.S.A.
 TEL: (903) 487-5383 FAX: (903) 487-0627
 www.birns.com