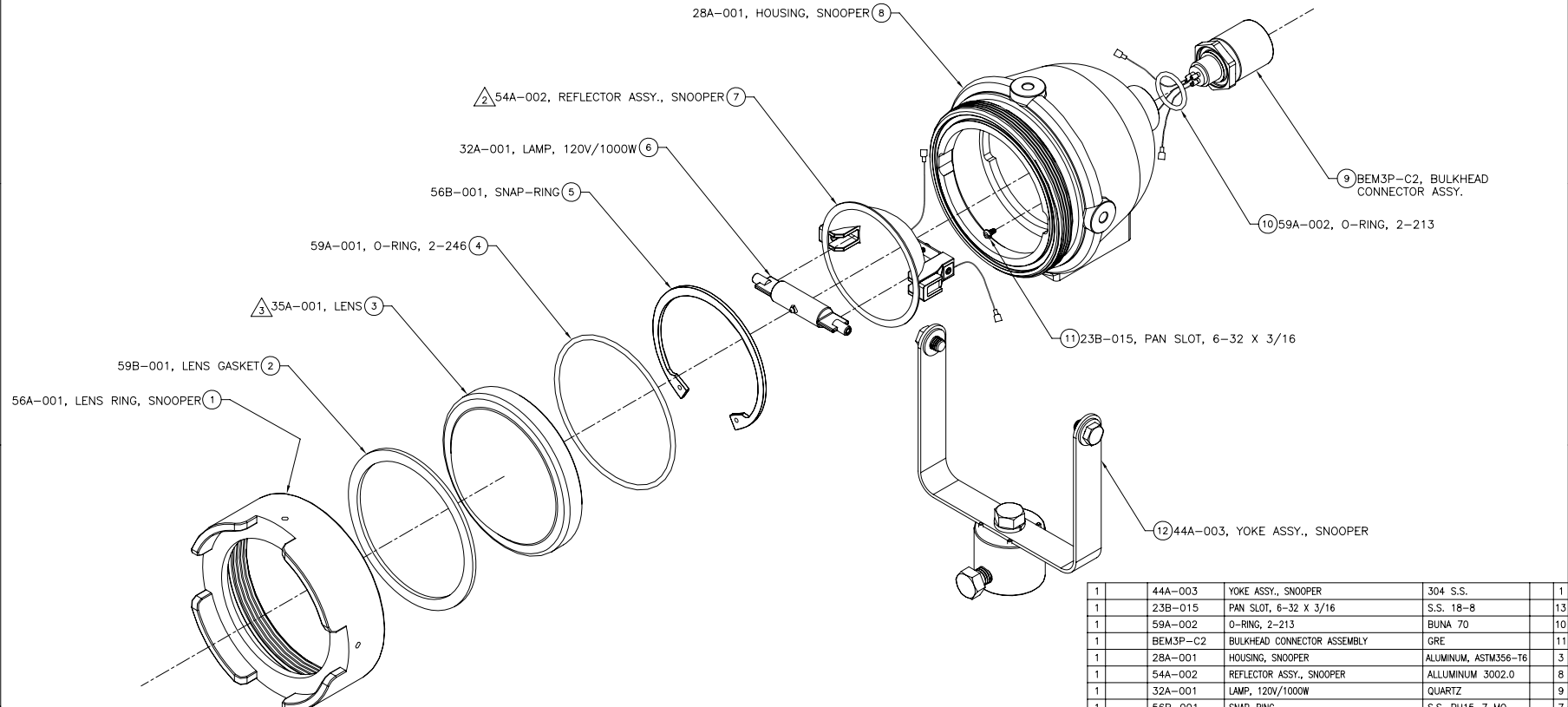


REV. NO. 1
 PROJECT NO. 5567-01-20
 DRAWING NO. 5567-01-20-01
 SHEET NO. 1 OF 2
 DATE 05/07/05
 BY J. MAGLAQUE
 CHECKED BY E. BIRNS

| REVISIONS | | | | |
|-----------|-----|-------------|------|----------|
| ZONE | REV | DESCRIPTION | DATE | APPROVED |
| | | | | |



LAMP OPTIONS

| PART NO. | VOLT/WATT |
|----------|-------------------|
| 32A-001 | 3200K, 120V/1000W |
| 32A-002 | 3400K, 120V/600W |
| 32A-005 | 3250K, 120V/600W |
| 32A-009 | 2900K, 120V/400W |
| 32A-010 | 2900K, 120V/300W |
| 32A-016 | 240V/1000W |
| 32A-015 | 3200K, 240V/800W |
| 32A-017 | 240V/600W |
| 32A-018 | 240V/650W |

LENS OPTIONS

| PART NO. | COLOR |
|----------|------------|
| 35A-001 | CLEAR |
| 35A-002 | BLUE |
| 35A-003 | FROST |
| 35A-004 | BLUE FROST |

| QTY | CAGE | PART OR | NOMENCLATURE | MATERIAL | ZONE | ITEM |
|------|------|-----------------|-----------------------------|----------------------|------|------|
| REQD | CODE | IDENTIFYING NO. | OR DESCRIPTION | SPECIFICATION | | NO. |
| 1 | | 44A-003 | YOKE ASSY., SNOOPER | 304 S.S. | | 1 |
| 1 | | 23B-015 | PAN SLOT, 6-32 X 3/16 | S.S. 18-8 | | 13 |
| 1 | | 59A-002 | O-RING, 2-213 | BUNA 70 | | 10 |
| 1 | | BEM3P-C2 | BULKHEAD CONNECTOR ASSEMBLY | GRE | | 11 |
| 1 | | 28A-001 | HOUSING, SNOOPER | ALUMINUM, ASTM356-T6 | | 3 |
| 1 | | 54A-002 | REFLECTOR ASSY., SNOOPER | ALLUMINUM 3002.0 | | 8 |
| 1 | | 32A-001 | LAMP, 120V/1000W | QUARTZ | | 9 |
| 1 | | 56B-001 | SNAP-RING | S.S. PH15-7 MO. | | 7 |
| 1 | | 59A-001 | O-RING, 2-246 | BUNA 70 | | 6 |
| 1 | | 35A-001 | LENS, CLEAR | BOROSILICATE | | 4 |
| 1 | | 59B-001 | LENS GASKET | BUNA 70 | | 5 |
| 1 | | 56A-001 | LENS RING, SNOOPER | ALUMINUM, ASTM356-T6 | | 2 |

UNLESS OTHERWISE SPECIFIED DIMENSIONS ARE IN INCHES AND PER ASME Y14.5-1994
 TOLERANCES ARE: X ± .015
 XX ± .010
 XXX ± .005
 XXXX ± .0025
 XXXXX ± .0015

CONTRACT: 1750 RISE PLACE, TORRANCE, CA 90503-1863 U.S.A.
 TEL: (909) 467-5300 FAX: (909) 467-0427
 www.birns.com

BIRNS

DESIGN: K. WOOD
 ENGR: J. MAGLAQUE
 APPR: E. BIRNS

TITLE: SNOOPER, UNDERWATER LIGHT ASSEMBLY EXPLODED VIEW
 DATE: 05/07/05
 DWG NO: 5567-01-20
 SHEET: 1 OF 2

SCALE: 1/1 UNIT WT.:
 DATE: 05/07/05
 DWG NO: 5567-01-20
 SHEET: 1 OF 2