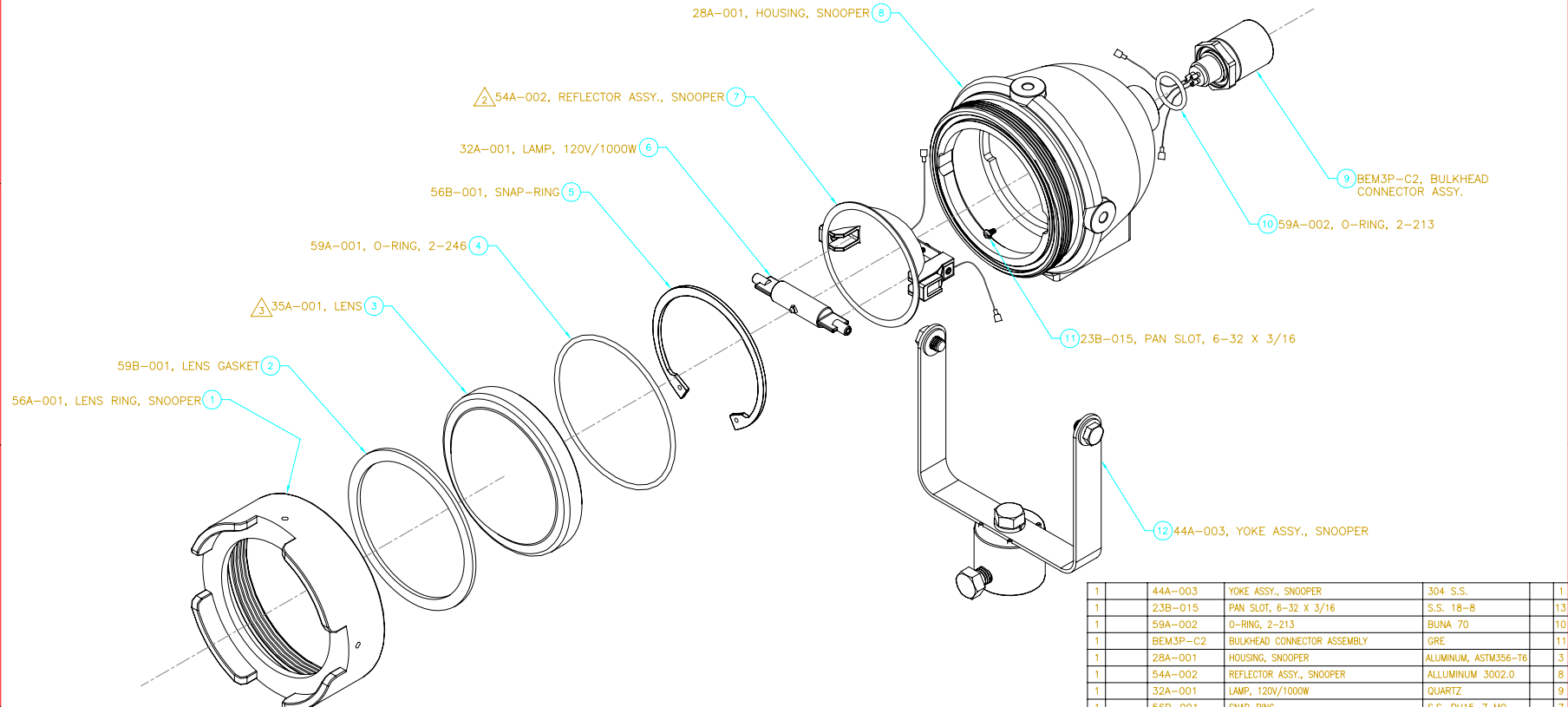


BY: J.C. BIRNS  
 PROJECT: 5567-01-20  
 DRAWING: 5567-01-20-01  
 DATE: 05/07/05  
 SCALE: 1/1  
 UNIT: INCHES  
 SHEET: 1 OF 2

ZONE		REV	DESCRIPTIONS	DATE	APPROVED



**LAMP OPTIONS**

PART NO.	VOLT/WATT
32A-001	3200K, 120V/1000W
32A-002	3400K, 120V/600W
32A-005	3250K, 120V/600W
32A-009	2900K, 120V/400W
32A-010	2900K, 120V/300W
32A-016	240V/1000W
32A-015	3200K, 240V/800W
32A-017	240V/600W
32A-018	240V/650W

**LENS OPTIONS**

PART NO.	COLOR
35A-001	CLEAR
35A-002	BLUE
35A-003	FROST
35A-004	BLUE FROST

QTY	CAGE CODE	PART OR IDENTIFYING NO.	NOMENCLATURE OR DESCRIPTION	MATERIAL SPECIFICATION	ZONE	ITEM NO.
1		44A-003	YOKE ASSY., SNOOPER	304 S.S.		1
1		23B-015	PAN SLOT, 6-32 X 3/16	S.S. 18-8		13
1		59A-002	O-RING, 2-213	BUNA 70		10
1		BEM3P-C2	BULKHEAD CONNECTOR ASSEMBLY	GRE		11
1		28A-001	HOUSING, SNOOPER	ALUMINUM, ASTM356-T6		3
1		54A-002	REFLECTOR ASSY., SNOOPER	ALUMINUM 3002.0		8
1		32A-001	LAMP, 120V/1000W	QUARTZ		9
1		56B-001	SNAP-RING	S.S. PH15-7 MO.		7
1		59A-001	O-RING, 2-246	BUNA 70		6
1		35A-001	LENS, CLEAR	BOROSILICATE		4
1		59B-001	LENS GASKET	BUNA 70		5
1		56A-001	LENS RING, SNOOPER	ALUMINUM, ASTM356-T6		2

UNLESS OTHERWISE SPECIFIED DIMENSIONS ARE IN INCHES AND PER ASME Y14.5-1994 TOLERANCES ARE: X .015 XX .01 XXX .005 XXXXX .0005 Z .005

CONTRACT: DWG K. WOOD DATE 05/07/05  
 DESIGN: ENGR: J. MAGLAQUE 05/07/05  
 APP'D: E. BIRNS 05/12/05

**BIRNS** 1750 RISE PLACE, TORRANCE, CA 90503-1863 U.S.A.  
 TEL: (708) 467-3300 FAX: (708) 467-0427 www.birns.com

TITLE: SNOOPER, UNDERWATER LIGHT ASSEMBLY EXPLODED VIEW  
 SIZE: D 58608 DWG NO.: 5567-01-20 REV: —  
 SCALE: 1/1 UNIT WT.: SHEET 1 OF 2