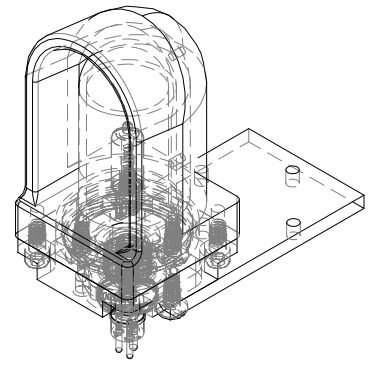
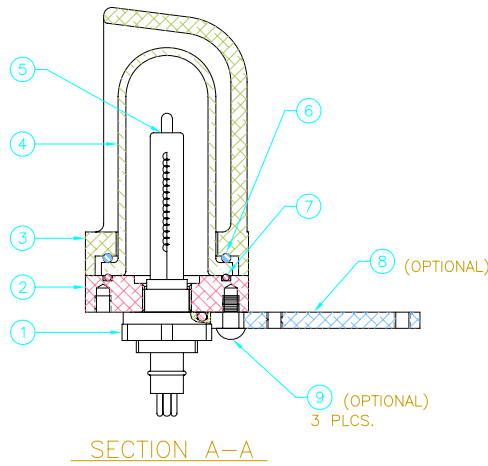
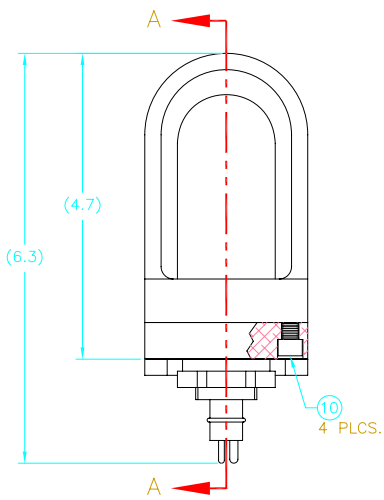


NOTICE
 The information disclosed herein was originated by and is the property of BIRNS Inc. Except for uses which may be expressly granted, BIRNS Inc. reserves all patent, proprietary, design, use, sale, manufacturing and reproduction rights in and to said information and this document.

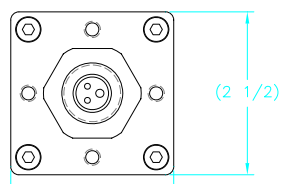
ZONE		REVISIONS		DATE	APPROVED
A		DWG UPDATED		880201	J.BROWN
B		ITEM 5 WAS 59A-027		880601	J.BROWN
C		DWG UPDATED		951115	E.BIRNS
D		SEE ECN		981202	E.BIRNS

- NOTES:
 1. APPLY A LIGHT COAT OF GREASE TO O-RINGS PRIOR TO ASSY.
 2. PRESSURE RATING: 2230 PSI. MAX. (5000 FSW).
 3. SEE TABLE 1 FOR LAMP OPTIONS.
 4. CABLE ASSY: CEF3S16
 5. LABEL W/ MODEL AND SERIAL NUMBER.
 6. ITEM 8 AND 9 ARE SOLD SEPARATELY.



VIEW(S) SHOWN ASSEMBLED FOR REFERENCE ONLY

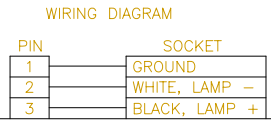
CONNECTOR OPTIONS
 1. AQUAMATE
 2. AQUAMATE L.P.



ITEM 8 IS NOT SHOWN IN THIS VIEW FOR CLARITY

PART NO.	VOLT/WATT
32B-002	120V/100W
32B-003	120V/150W
32B-004	120V/250W
32B-005	120V/500W
32B-016	240V/100W
32B-015	240V/150W
32B-017	240V/250W
32B-018	240V/500W

TABLE 1



ITEM	QTY	PART NO.	DESCRIPTION	MATERIAL	SPEC
10	4	23A-013	SHCS, 1/4-20 X 1/2 LG.	S.S.	18-8
9	3	23B-014	ROUND SLOT, 1/4-20 X 1/2 LG.	S.S.	18-8
8	1	441-002	BRACKET, SOR	ALUM	6061-T6
7	1	59A-021	O-RING, 2-131	BUNA	N674-70
6	1	59B-009	GASKET, SOR 10K DOME	SILICONE	-
5	1	32B-004	LAMP, 120V/250W	QUARTZ	COMM'L
4	1	35B-003	DOME, SOR 5000'	BOROSILICATE	COMM'L
3	1	28A-013	HOUSING, SOR REFLECTOR	ALUM	6061-T6
2	1	28B-011	BASE, SOR, W/HOLE	ALUM	6061-T6
1	1	BEM3P-S4	BEM3P-S4 CONNECTOR	GRE	COSMIC E-484

PARTS LIST

MATERIAL		UNLESS OTHERWISE SPECIFIED: DIMENSIONS ARE IN INCHES. ALL DIMENSIONS TO APPLY AFTER PLATING	CONTRACT NUMBER	BIRNS, Inc. Tel: 805-487-5393 Main Plant: 1720 FISKE PLACE, OXNARD CA, 93033	
TREATMENT		.0000 ±.0005 .000 ±.005 .00 ±.010 .0 ±.015	DATE	TITLE	
FINISH		FRACTIONS ± 1/32 ANGULAR ± 1/2° ROUGHNESS 63 METRIC ± .5 DRILLED HOLES UP TO 1/2" +.003 - .001	W.WANG DATE 951114	SOR, 5000', 250W	
		THREADS MUST BE FREE FROM SHARP EDGES AND BURRS RADIUS ALL SHARP EDGES .005-.015 RADIUS BLEND ALL CHAMFERS FILLET RADII TO BE .015	J.KO DATE 951114	SIZE	CAGE CODE
			W.WANG DATE 951114	D	58608
			J.MAGLAQUE DATE 951114	DWG NO.	51310110
			E.BIRNS DATE 951115	SCALE	UNIT WT.
				1/1	1.9 LBS. SHEET