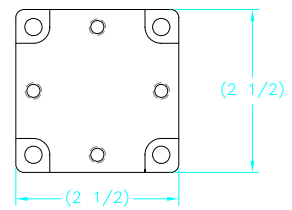
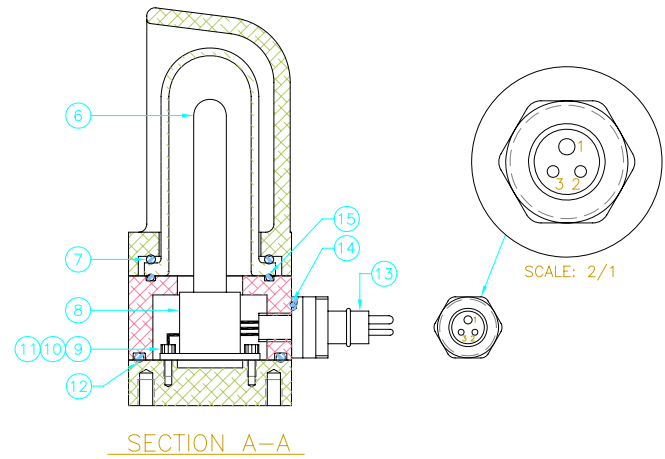
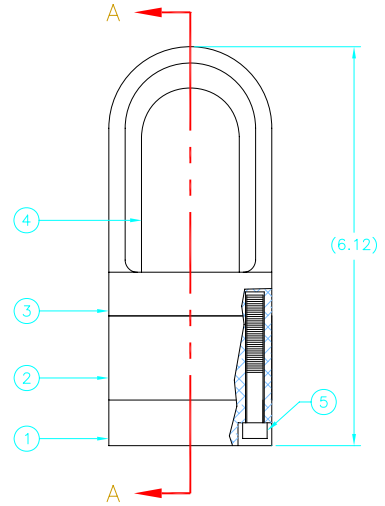


The information disclosed herein was originated by and is the property of BIRNS Inc. Except for uses which may be expressly granted, BIRNS Inc. reserves all patent, proprietary, design, use, sale, manufacturing and reproduction rights in and to said information and this document.

ZONE		REVISIONS		DATE	APPROVED
B		INITIAL DRAWING RELEASE		960607	E.BIRNS
A		CORRECTED PN OF ITEM 2		990323	E.BIRNS

- NOTES:
1. APPLY A LIGHT COAT OF GREASE TO O-RINGS PRIOR TO ASSY.
 2. PRESSURE RATING: 2230 PSI. MAX. (5000 FSW).
 3. SEE TABLE 1 FOR LAMP OPTIONS.
 4. CABLE ASSY: CEF3S16 TO EPOXY MOLDED CONNECTOR, DIFFERENT OTHERWISE.
 5. LABEL W/ MODEL AND SERIAL NUMBER.
 6. SEE TABLE 2 FOR CONNECTOR OPTIONS.



ITEM 13 IS NOT SHOWN IN THIS VIEW FOR CLARITY

PART NO.	VOLT/WATT
32B-002	120V/100W
32B-003	120V/150W
32B-004	120V/250W
32B-005	120V/500W
32B-016	240V/100W
32B-015	240V/150W
32B-017	240V/250W
32B-018	240V/500W

TABLE 1

CONNECTOR OPTIONS
1. EO LP
2. AQUAMATE LP
3. BURTON

TABLE 2

WIRING DIAGRAM

PIN	SOCKET
1	GROUND
2	WHITE, LAMP -
3	BLACK, LAMP +

MATERIAL	
TREATMENT	
FINISH	
NEXT ASSY	USED ON
APPLICATION	

UNLESS OTHERWISE SPECIFIED:
 DIMENSIONS ARE IN INCHES
 ALL DIMENSIONS TO APPLY AFTER PLATING
 .0000 ±.0005
 .0000 ±.0005
 .0000 ±.010
 .0 ±.015
 FRACTIONS ± 1/32
 ANGULAR ± 1/2°
 ROUGHNESS 63
 METRIC ± .5
 DRILLED HOLES UP TO 1/2" + .005 - .001
 THREADS MUST BE FREE FROM SHARP EDGES AND BURRS
 RADIUS ALL SHARP EDGES .005-.015
 RADIUS BLEND ALL CHAMFERS
 FILLET RADII TO BE .015

ITEM	QTY	PART NO.	DESCRIPTION	MATERIAL	SPEC
15	1	59A-021	O-RING, 2-131	BUNA	N674-70
14	1	59A-085	O-RING, 2-016	BUNA	N674-70
13	1	BEM3P-SOR	SOR CONNECTOR	GRE	COSMIC E-484
12	1	59A-023	O-RING, 2-226	BUNA	N674-70
11	AR	30D-008	HEAK SHRINK, Ø1/8	NEOPRENE	COMM'L
10	1	23C-011	TERMINAL RING, #4	S.S.	18-8
9	2	23B-010	SKT HEAD SCREW, 6-32 X 1/4 LG.	S.S.	18-8
8	1	33C-001	SOCKET, MINI CAN LAMP	S.S.	18-8
7	1	59A-008	O-RING, 2-219	BUNA	N674-70
6	1	32B-004	LAMP, 120V/250W	QUARTZ	COMM'L
5	4	23A-017	SHCS, 1/4-20 X 2 LG.	S.S.	18-8
4	1	35B-003	DOME, SOR 5000'	BOROSILICATE	COMM'L
3	1	28A-013	REFLECTOR, SOR, 5000'	ALUM	6061-T6
2	1	28B-009	MID-HOUSING, SOR	ALUM	6061-T6
1	1	28B-010	BASE, SOR	ALUM	6061-T6

CONTRACT NUMBER		BIRNS, Inc. Tel: 805-487-5393 Main Plant: 1720 FISKE PLACE, OXNARD CA, 93033	
DRAWN J.KO	DATE 960521	TITLE SOR, 5000 FT	
CHECK J.KO	DATE	SIZE D	CAGE CODE 58608
ENGR J.KO	DATE 960604	DWG NO.	51010110
QA J.MAGLAQUE	DATE 960604	SCALE 1/1	UNIT WT. 10/1
APPROVED E.BIRNS	DATE 960607	SHEET	