

40-641-001-00

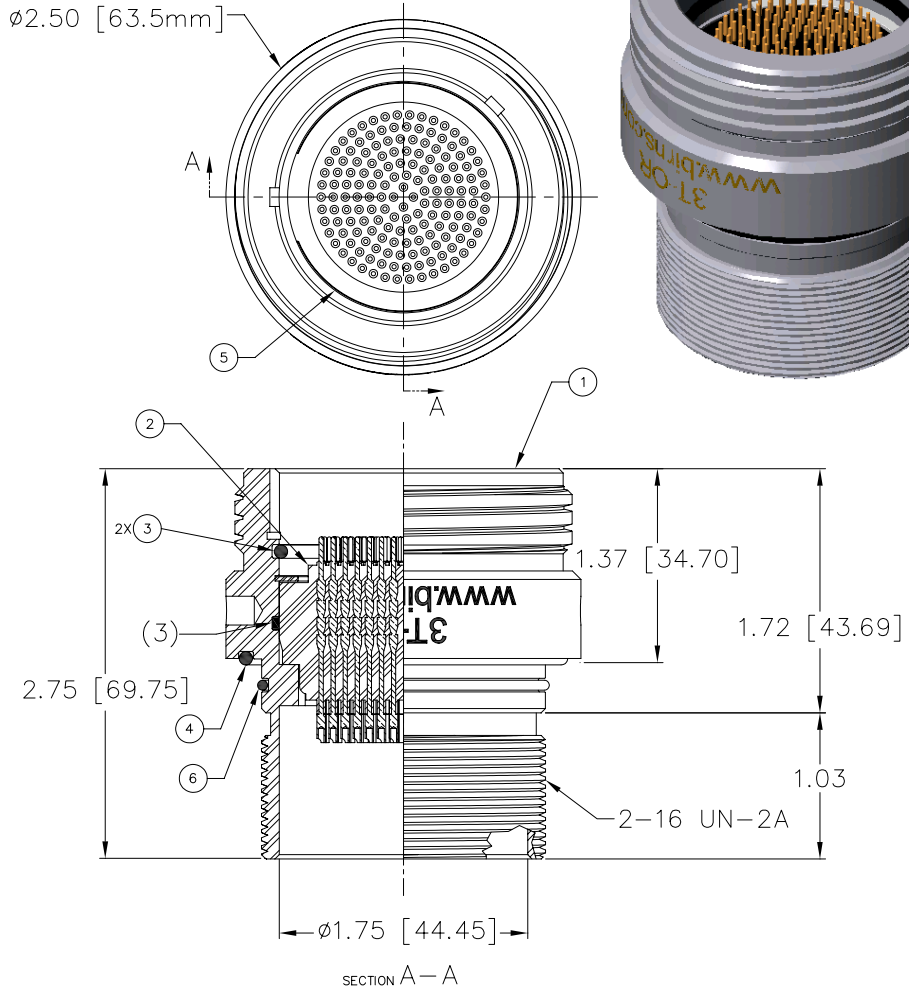


MILLENNIUM SERIES

3T-OR

NOTES: UNLESS OTHERWISE SPECIFIED.

1. MATES WITH 3T-CP.
2. SEE 3T-RIP DATA SHEETS (40-660-001-00) FOR AVAILABLE INSERTS.



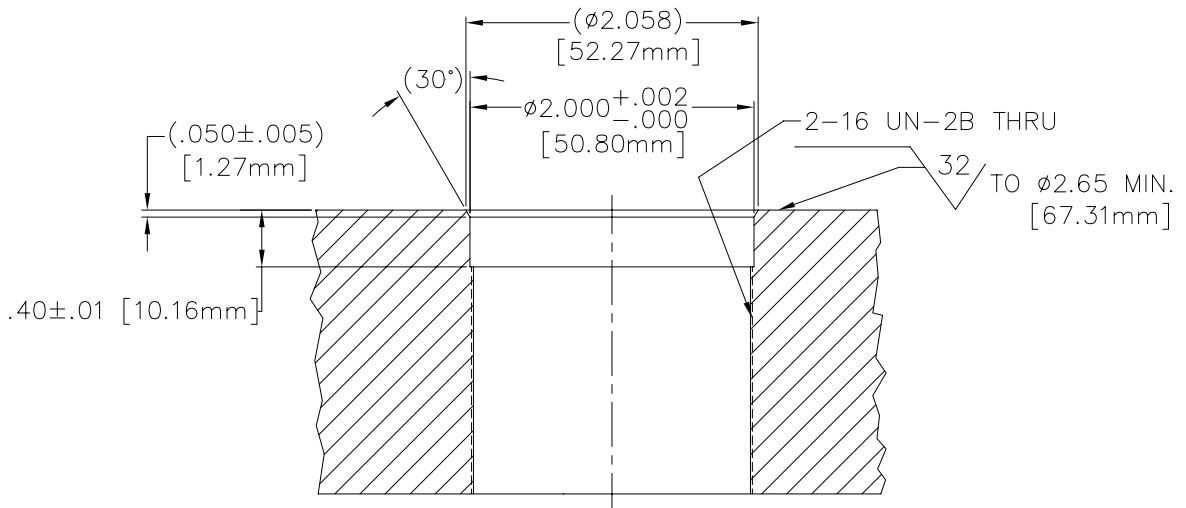
3T-OR

1	59A-180	O-RING, 2-032	BUNA 70	6	
1	56B-033	SNAP RING, SPIROLOX UR-175-S	302 S.S.	5	
1	59A-127	O-RING, 2-034	BUNA 70	4	
2	59A-183	O-RING, 2-031	BUNA 70	3	
1	3T-RIP	INSERT ASSY., PIN, 3T RECEPTACLE	GRE	2	
1	24E-076	SHELL, 3T-OR	316 S.S.	1	
QTY REQD	CAGE CODE	PART OR IDENTIFYING NO.	NOMENCLATURE OR DESCRIPTION PARTS LIST	MATERIAL SPECIFICATION	ZONE ITEM NO.

1720 Fiske Place Oxnard, California 93033-1863
 Phone: (805) 487-5393 FAX: (805) 487-0427 Email: service@birns.com
www.birns.com

USA Toll-Free:
888-BIRNS-88

RECOMMENDED MOUNTING CONFIGURATIONS


**THREADED
BULKHEAD
HOLE**

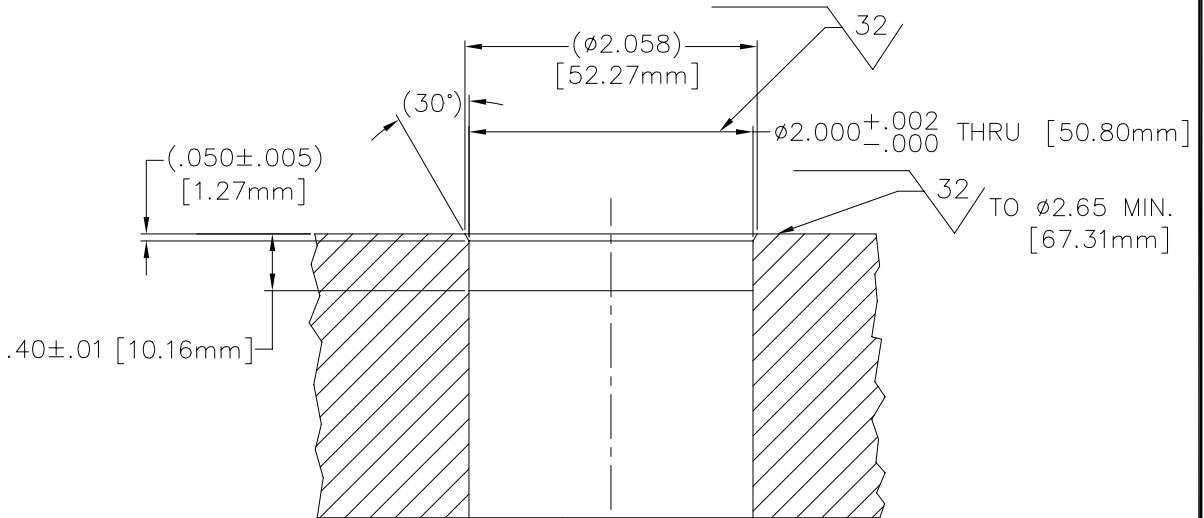
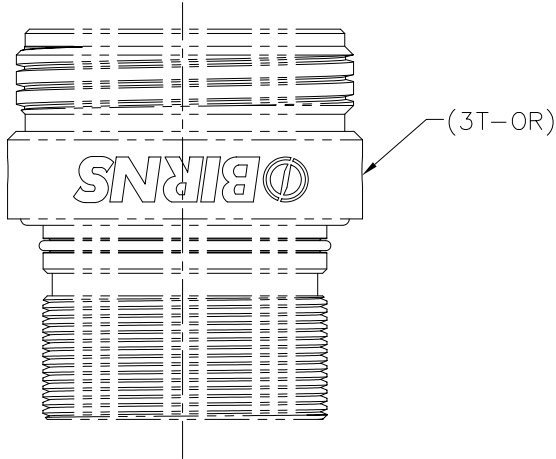
40-641-003-00



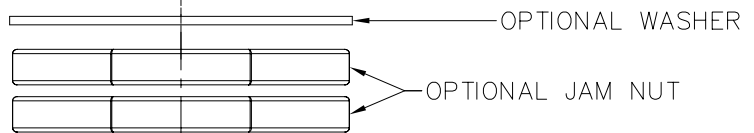
MILLENNIUM
SERIES

3T-OR

RECOMMENDED MOUNTING CONFIGURATIONS



**BULKHEAD
THRU-HOLE**



3T-OR

1720 Fiske Place Oxnard, California 93033-1863
Phone: (805) 487-5393 FAX: (805) 487-0427 Email: service@birns.com
www.birns.com

USA Toll-Free:
888-BIRNS-88