

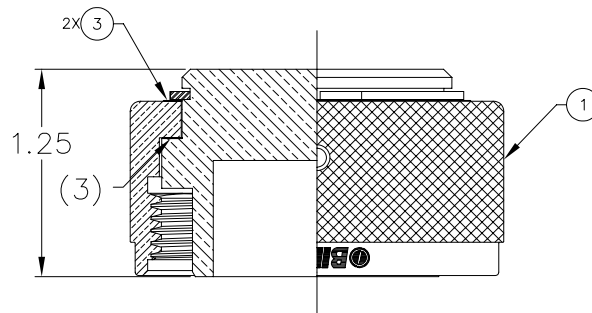
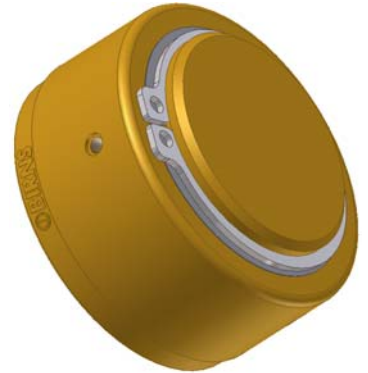
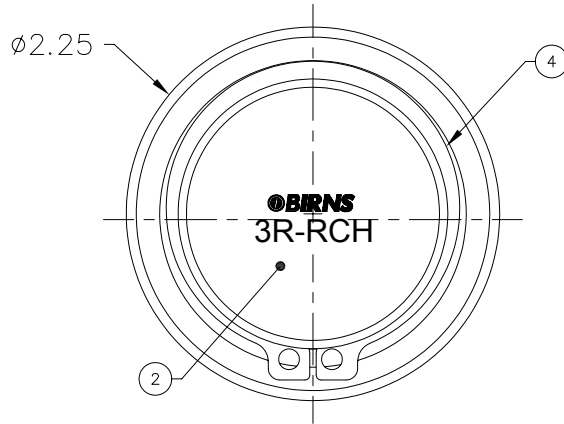


# MILLENNIUM SERIES

## 3R-RCH

NOTES: UNLESS OTHERWISE SPECIFIED.

1. MATES WITH 3R RECEPTACLE.



1		56B-019	SNAP RING, 5100-162-H	PH15-7 MO. S.S.		4
2		23D-109	WASHER, 1.630 X 1.847 X .005,	18-8 S.S.		3
1		24C-054	3R-RCH RECEPT. CAP, MILLENNIUM	BRASS 360		2
1		24F-115	ENGAGING NUT, 3R-CP	BRASS 360		1
QTY REQD	CAGE CODE	PART OR IDENTIFYING NO.	NOMENCLATURE OR DESCRIPTION	MATERIAL SPECIFICATION	ZONE	ITEM NO
PARTS LIST						

3R-RCH

1720 Fiske Place Oxnard, California 93033-1863  
 Phone: (805) 487-5393 FAX: (805) 487-0427 Email: [service@birns.com](mailto:service@birns.com)  
[www.birns.com](http://www.birns.com)

USA Toll-Free:  
 888-BIRNS-88