

40-484-001-00



# MILLENNIUM SERIES

3P-CP-OF

NOTES: UNLESS OTHERWISE SPECIFIED.

1. MATES WITH 3P RECEPTACLE.
2. SEE 3P-PIS DATA SHEETS (40-565-001-00) FOR AVAILABLE INSERTS.



3P-CP-OF

VIEW(S) SHOWN ASSEMBLED  
FOR REFERENCE ONLY

1720 Fiske Place Oxnard, California 93033-1863  
Phone: (805) 487-5393 FAX: (805) 487-0427 Email: [service@birns.com](mailto:service@birns.com)  
[www.birns.com](http://www.birns.com)

USA Toll-Free:  
888-BIRNS-88

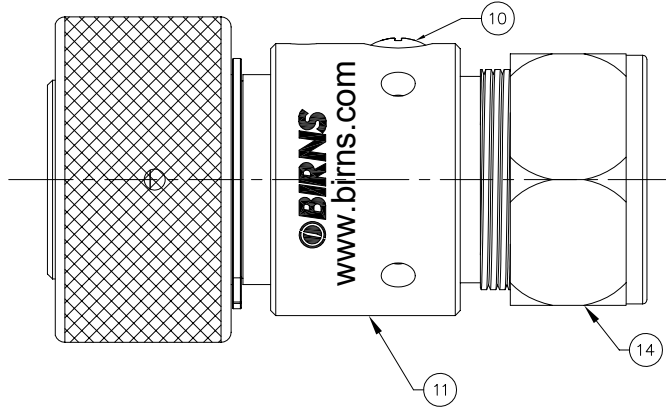
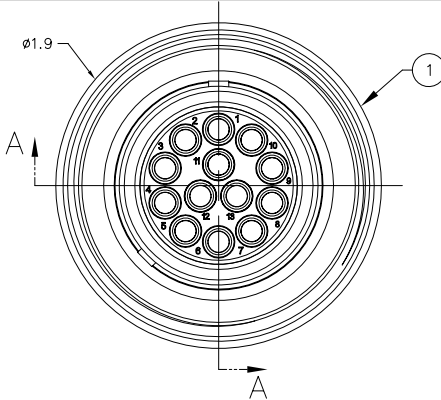
40-484-002-00



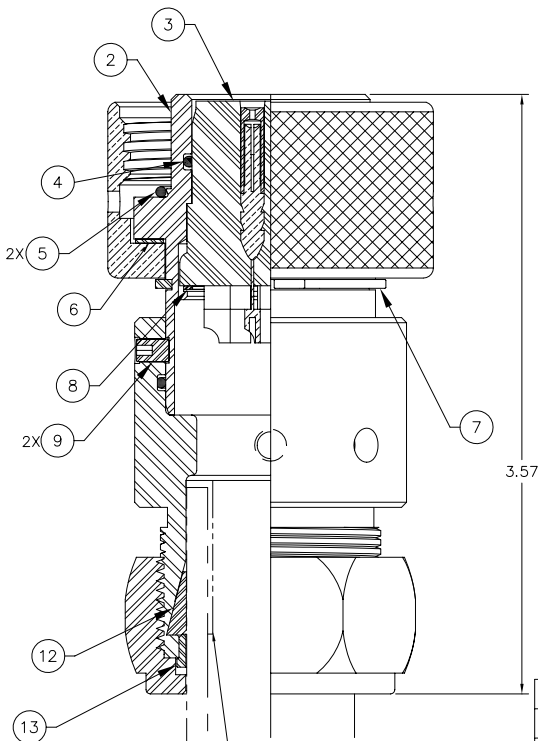
# MILLENNIUM SERIES

3P-CP-OF

3P-CP-OF



VIEW SHOWN WITHOUT TYGON TUBING



(INSERT, TYGON TUBING, 1.0")  
(TYGON TUBING, CLEAR, 1" O.D.)

SECTION A-A

1	24K-206	NUT, 1" TUBE O.D.	316 S.S.	14	
1	24K-306	BACK FERRULE, 1" TUBE O.D.	316 S.S.	13	
1	24K-406	FRONT FERRULE, 1" TUBE O.D.	316 S.S.	12	
1	24K-141	ADAPTER, 3P-CP-OF	316 S.S.	11	
1	23B-068	SEELSCREW, 10-32 X 1/4 LG	18-8 S.S.	10	
2	23B-103	SET SCREW, 6-32 X 3/16 LG	316 S.S.	9	
1	56B-024	RETAINING RING, SPIROLOX UR-100-SP	302 S.S.	8	
1	56B-045	RETAINING RING, TRUARC 5100-125-H	S.S.	7	
1	23D-105	WASHER, 1.63 X 1.26 X .024	316 S.S.	6	
2	59A-061	O-RING, 2-026	BUNA 70	5	
1	59A-079	O-RING, 2-021	BUNA 70	4	
1	3P-PIS	SOCKET INSERT ASSEMBLY	GRE E-484	3	
1	24E-137	SHELL, 3P-CP	316 S.S.	2	
1	24F-110	ENGAGING NUT	BRASS 360	1	
QTY REQD	CAGE CODE	PART OR IDENTIFYING NO.	NOMENCLATURE OR DESCRIPTION	MATERIAL SPECIFICATION	ZONE ITEM NO

PARTS LIST

1720 Fiske Place Oxnard, California 93033-1863  
 Phone: (805) 487-5393 FAX: (805) 487-0427 Email: service@birns.com  
 www.birns.com

USA Toll-Free:  
 888-BIRNS-88