

40-482-001-02

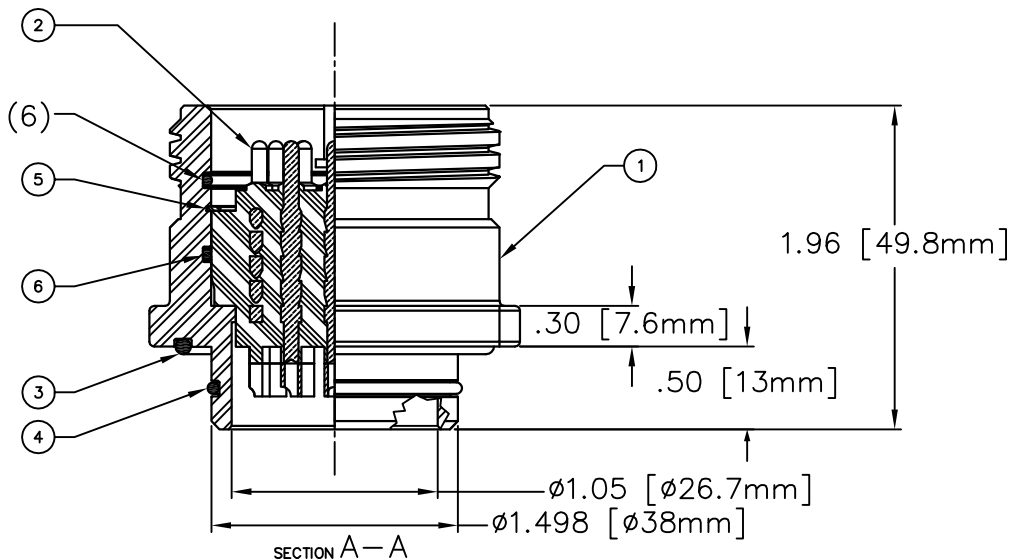
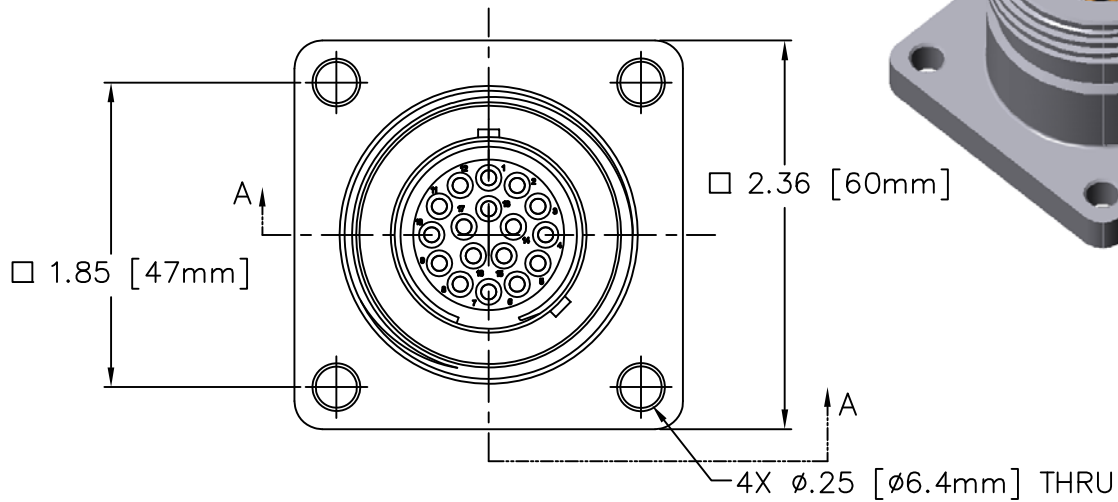
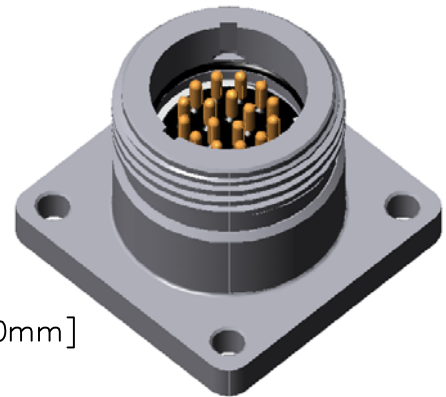


# MILLENNIUM SERIES

3P-FR

NOTES: UNLESS OTHERWISE SPECIFIED.

1. MATES WITH 3P-CP.
2. SEE 3P-RIP DATA SHEETS (40-500-001-00) FOR AVAILABLE INSERTS.



QTY REQD	CAGE CODE	PART OR IDENTIFYING NO.	NOMENCLATURE OR DESCRIPTION	MATERIAL SPECIFICATION	ZONE	ITEM NO
2		59A-096	O-RING, 2-025	BUNA 70		6
1		56B-011	SNAP RING, UR-118-S	302 S.S.		5
1		59A-132	O-RING, 2-028	BUNA 70		4
1		59A-169	O-RING, 2-030	BUNA 70		3
1		3P-RIP	INSERT ASSY., PIN, 3P CONNECTOR	VARIOUS		2
1		24E-208	SHELL, 3P-FR	316 S.S.		1

PARTS LIST

3P-FR

1720 Fiske Place Oxnard, California 93033-1863  
 Phone: (805) 487-5393 FAX: (805) 487-0427 Email: [service@birns.com](mailto:service@birns.com)  
[www.birns.com](http://www.birns.com)

USA Toll-Free:  
 888-BIRNS-88

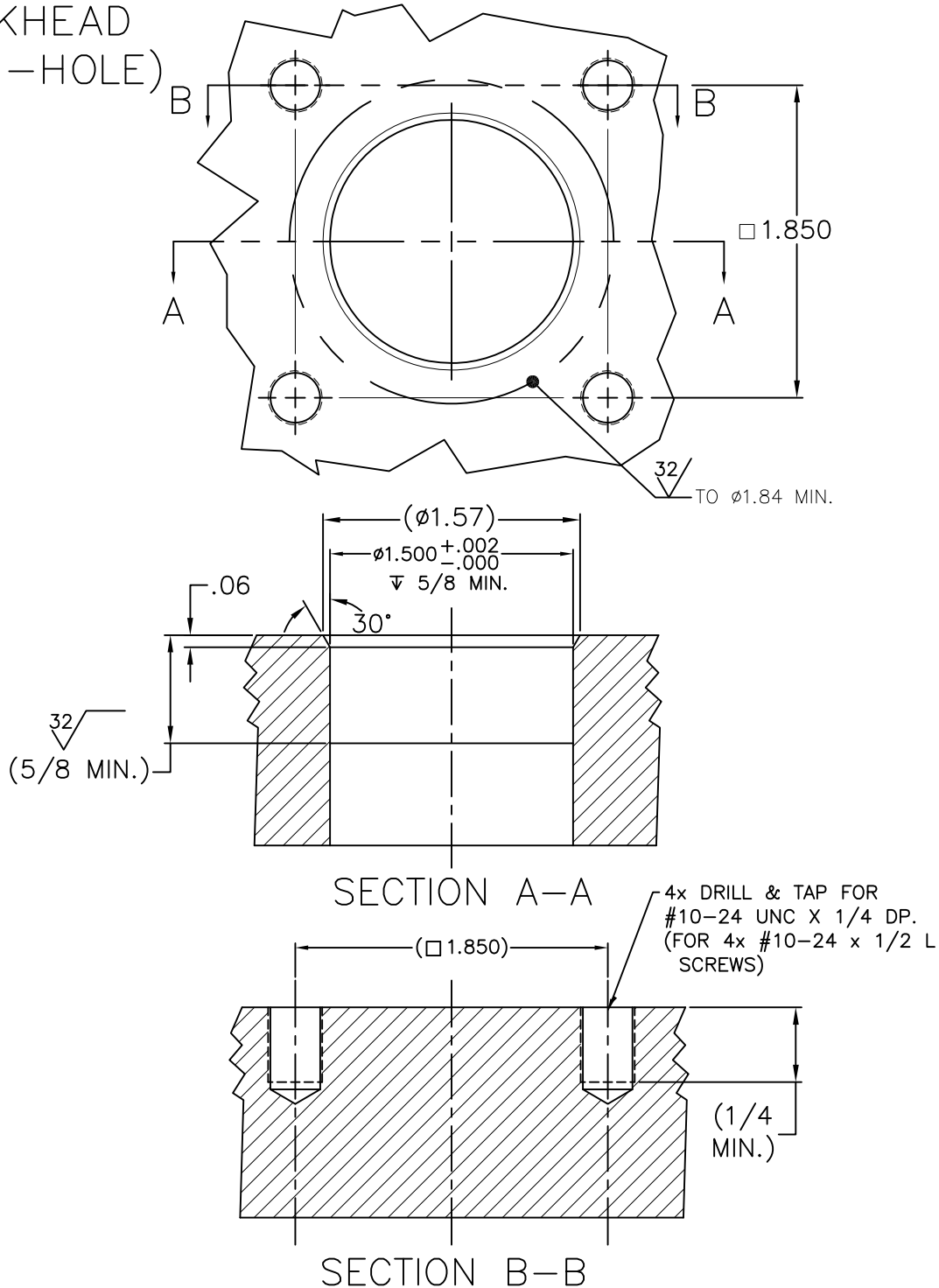
40-482-002-01



# MILLENNIUM SERIES

3P-FR

RECOMMENDED MOUNTING CONFIGURATION FOR 3P-FR  
(BULKHEAD THRU-HOLE)



3P-FR

1720 Fiske Place Oxnard, California 93033-1863  
Phone: (805) 487-5393 FAX: (805) 487-0427 Email: [service@birns.com](mailto:service@birns.com)  
[www.birns.com](http://www.birns.com)

USA Toll-Free:  
888-BIRNS-88