

40-404-001-00

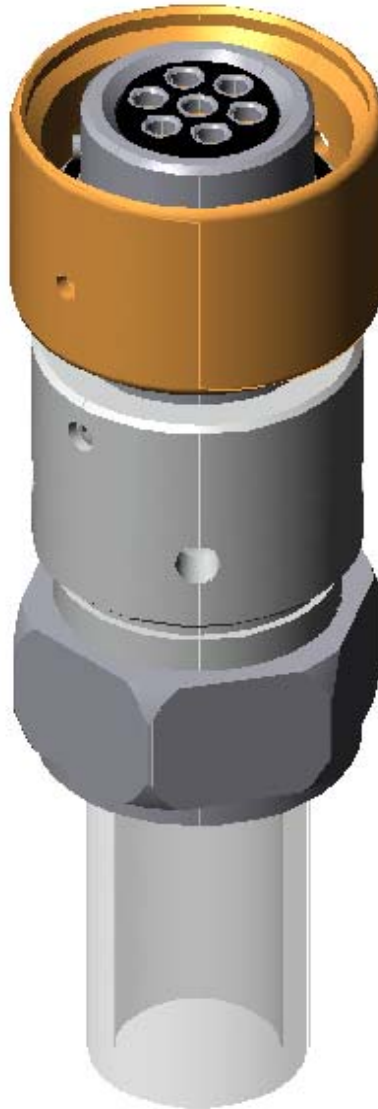


MILLENNIUM SERIES

30-CP-OF

NOTES: UNLESS OTHERWISE SPECIFIED.

1. MATES WITH 30 RECEPTACLE.
2. SEE 30-PIS DATA SHEETS (40-465-001-00) FOR AVAILABLE INSERTS.



ISOMETRIC VIEW SHOWN ASSEMBLED
FOR REFERENCE ONLY

30-CP-OF

1720 Fiske Place Oxnard, California 93033-1863
Phone: (805) 487-5393 FAX: (805) 487-0427 Email: service@birns.com
www.birns.com

USA Toll-Free:
888-BIRNS-88

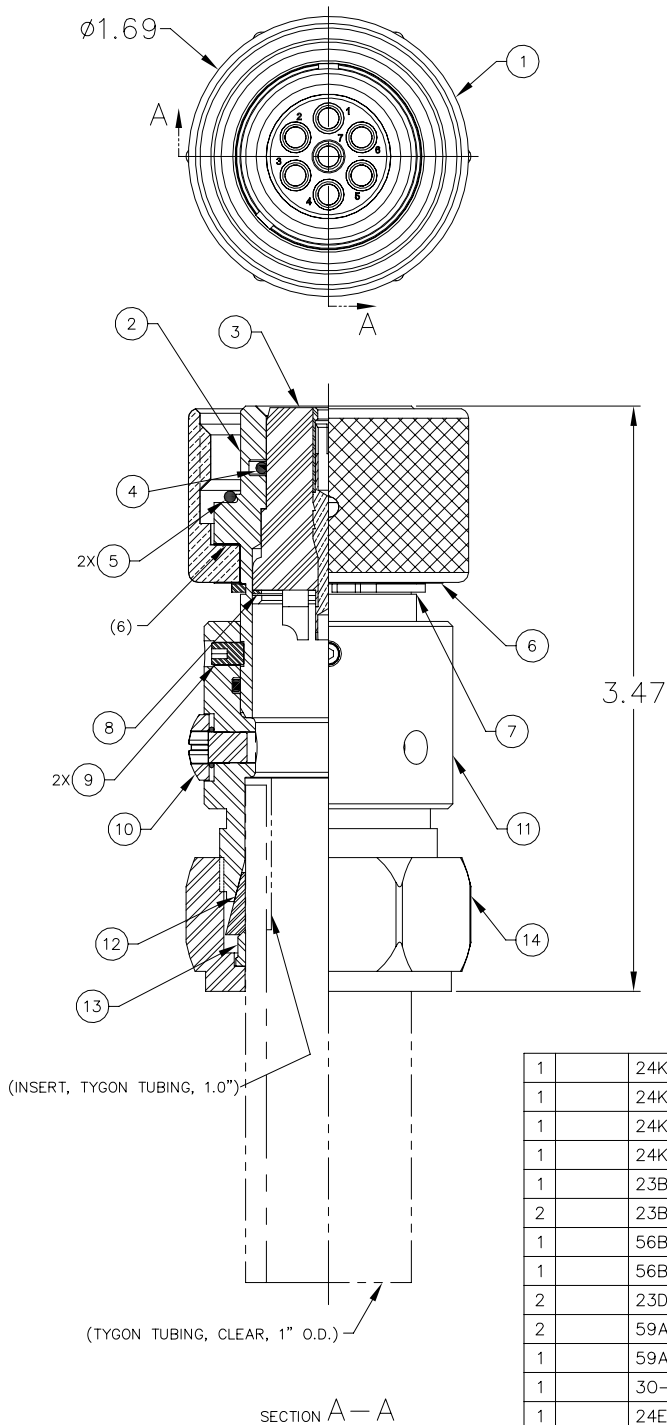
40-404-002-00



MILLENNIUM SERIES

30-CP-OF

30-CP-OF



1		24K-206	NUT, 1" TUBE O.D.	316 S.S.		14
1		24K-306	BACK FERRULE, 1" TUBE O.D.	316 S.S.		13
1		24K-406	FRONT FERRULE, 1" TUBE O.D.	316 S.S.		12
1		24K-140	ADAPTER, 30-CP-OF	316 S.S.		11
1		23B-068	SEELSCREW, 10-32 X 1/4 LG	18-8 S.S.		10
2		23B-103	SET SCREW, 6-32 X 3/16 LG	316 S.S.		9
1		56B-008	RETAINING RING, SPIROLOX UR-87-S	302 S.S.		8
1		56B-082	RETAINING RING, TRUARC 5100-106-H	S.S.		7
2		23D-104	WASHER, 1.38 X 1.073 X .005	316 S.S.		6
2		59A-101	O-RING, 2-024	BUNA 70		5
1		59A-093	O-RING, 2-018	BUNA 70		4
1		30-PIS	SOCKET INSERT ASSEMBLY	GRE E-484		3
1		24E-187	SHELL, 30-CP	316 S.S.		2
1		24F-109	ENGAGING NUT	BRASS 360		1
QTY REQD	CAGE CODE	PART OR IDENTIFYING NO.	NOMENCLATURE OR DESCRIPTION	MATERIAL SPECIFICATION	ZONE	ITEM NO
PARTS LIST						

1720 Fiske Place Oxnard, California 93033-1863
 Phone: (805) 487-5393 FAX: (805) 487-0427 Email: service@birns.com
 www.birns.com

USA Toll-Free:
 888-BIRNS-88