

40-403-001-00



MILLENNIUM SERIES

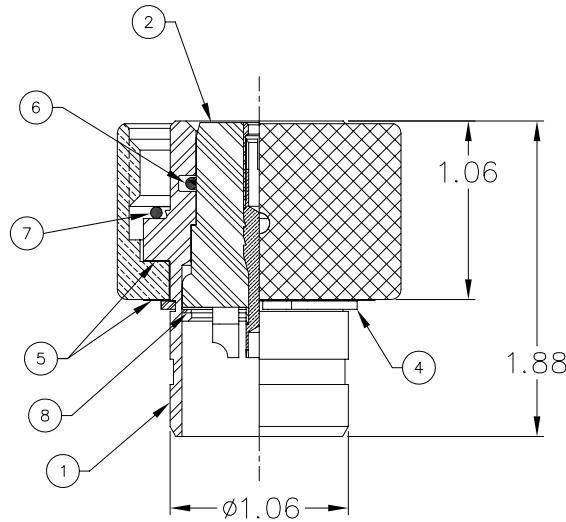
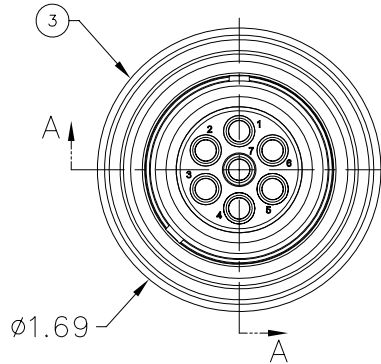
30-CP

NOTES: UNLESS OTHERWISE SPECIFIED.

1. MATES WITH 30 RECEPTACLE.
2. SEE 30-PIS DATA SHEETS (40-465-001-00) FOR AVAILABLE INSERTS.



ISOMETRIC VIEW SHOWN ASSEMBLED FOR REFERENCE ONLY



SECTION A - A

1		56B-008	RETAINING RING, SPIROLOX UR-87-S	302 S.S.		8
1		59A-101	O-RING, 2-024	BUNA 70		7
1		59A-093	O-RING, 2-018	BUNA 70		6
2		23D-104	WASHER, 1.38 X 1.073 X .005, 30-CP	316 S.S.		5
1		56B-082	RETAINER, TRUARC, 5100-106-S	S.S.		4
1		24F-109	ENGAGING NUT	BRASS 360		3
1		30-PIS	SOCKET INSERT ASSEMBLY	VARIOUS		2
1		24E-187	SHELL, 30-CP	316 S.S.		1
QTY REQD	CAGE CODE	PART OR IDENTIFYING NO.	NOMENCLATURE OR DESCRIPTION	MATERIAL SPECIFICATION	ZONE	ITEM NO

PARTS LIST

30-CP

1720 Fiske Place Oxnard, California 93033-1863
 Phone: (805) 487-5393 FAX: (805) 487-0427 Email: service@birns.com
 www.birns.com

USA Toll-Free:
 888-BIRNS-88