

40-402-001-01

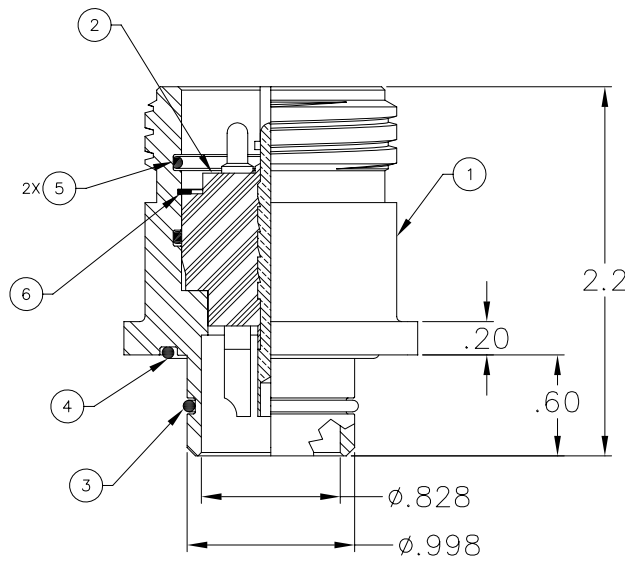
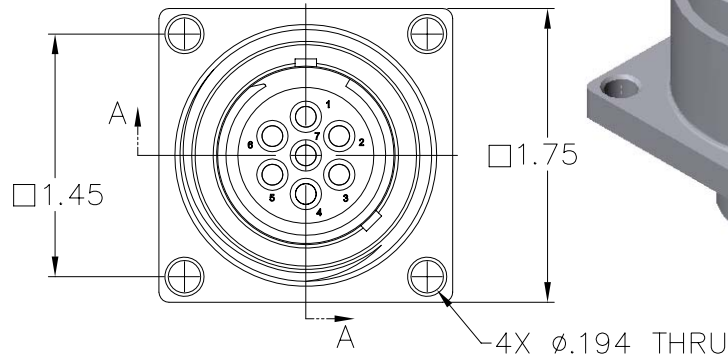


MILLENNIUM SERIES

30-FR

NOTES: UNLESS OTHERWISE SPECIFIED.

1. MATES WITH 30-CP.
2. SEE 30-RIP DATA SHEETS (40-450-001-00) FOR AVAILABLE INSERTS.



SECTION A-A

1	56B-009	SNAP RING, UR-106-S	302 S.S.		6	
2	59A-092	O-RING, 2-023	BUNA 70		5	
1	59A-101	O-RING, 2-024	BUNA 70		4	
1	59A-026	O-RING, 2-020	BUNA 70		3	
1	30-RIP	INSERT ASSY., PIN, 30 CONNECTOR	VARIOUS		2	
1	24E-207	SHELL, 30-FR	316 S.S.		1	
QTY REQD	CAGE CODE	PART OR IDENTIFYING NO.	NOMENCLATURE OR DESCRIPTION	MATERIAL SPECIFICATION	ZONE	ITEM NO
PARTS LIST						

1720 Fiske Place Oxnard, California 93033-1863
 Phone: (805) 487-5393 FAX: (805) 487-0427 Email: service@birns.com
www.birns.com

USA Toll-Free:
 888-BIRNS-88

30-FR

