

40-401-001-00



MILLENNIUM SERIES

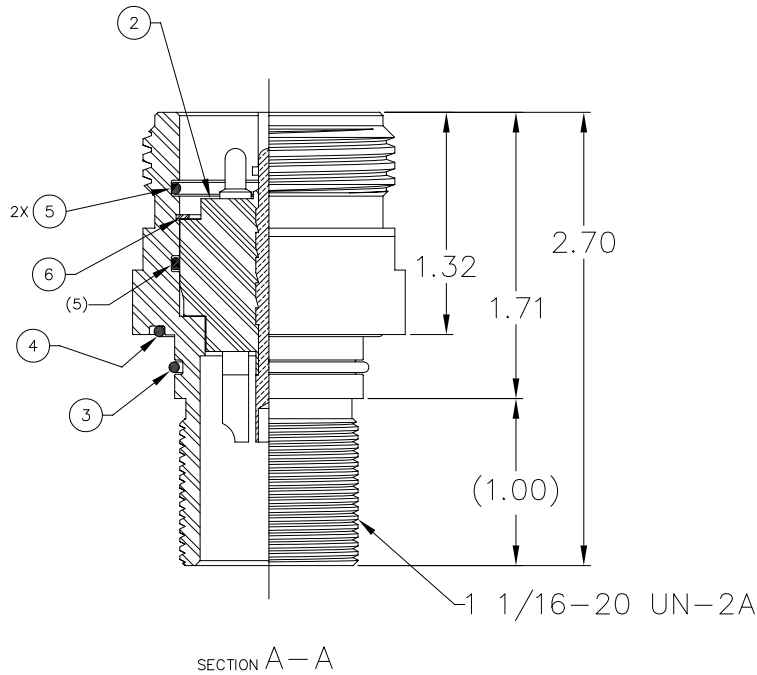
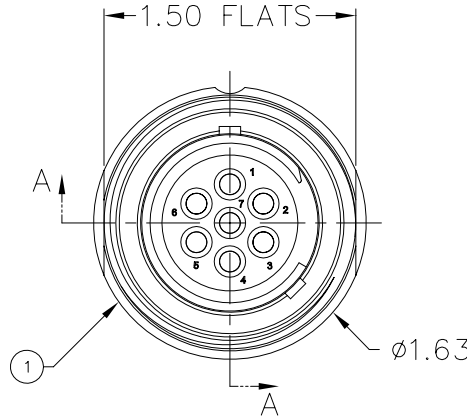
30-OR

NOTES: UNLESS OTHERWISE SPECIFIED.

1. MATES WITH 30-CP.
2. SEE 30-RIP DATA SHEETS (40-450-001-00) FOR AVAILABLE INSERTS.



ISOMETRIC VIEW SHOWN ASSEMBLED FOR REFERENCE ONLY



QTY REQD	CAGE CODE	PART OR IDENTIFYING NO.	NOMENCLATURE OR DESCRIPTION	MATERIAL SPECIFICATION	ZONE	ITEM NO
1		56B-009	SNAP RING, UR-106-S	302 S.S.		6
2		59A-092	O-RING, 2-023	BUNA 70		5
1		59A-061	O-RING, 2-126	BUNA 70		4
1		59A-070	O-RING, 2-022	BUNA 70		3
1		30-RIP	INSERT ASSY., PIN, 30 CONNECTOR	VARIOUS		2
1		24E-014	SHELL, 30-OR	316 S.S.		1

PARTS LIST

30-OR

1720 Fiske Place Oxnard, California 93033-1863
 Phone: (805) 487-5393 FAX: (805) 487-0427 Email: service@birns.com
 www.birns.com

USA Toll-Free:
 888-BIRNS-88

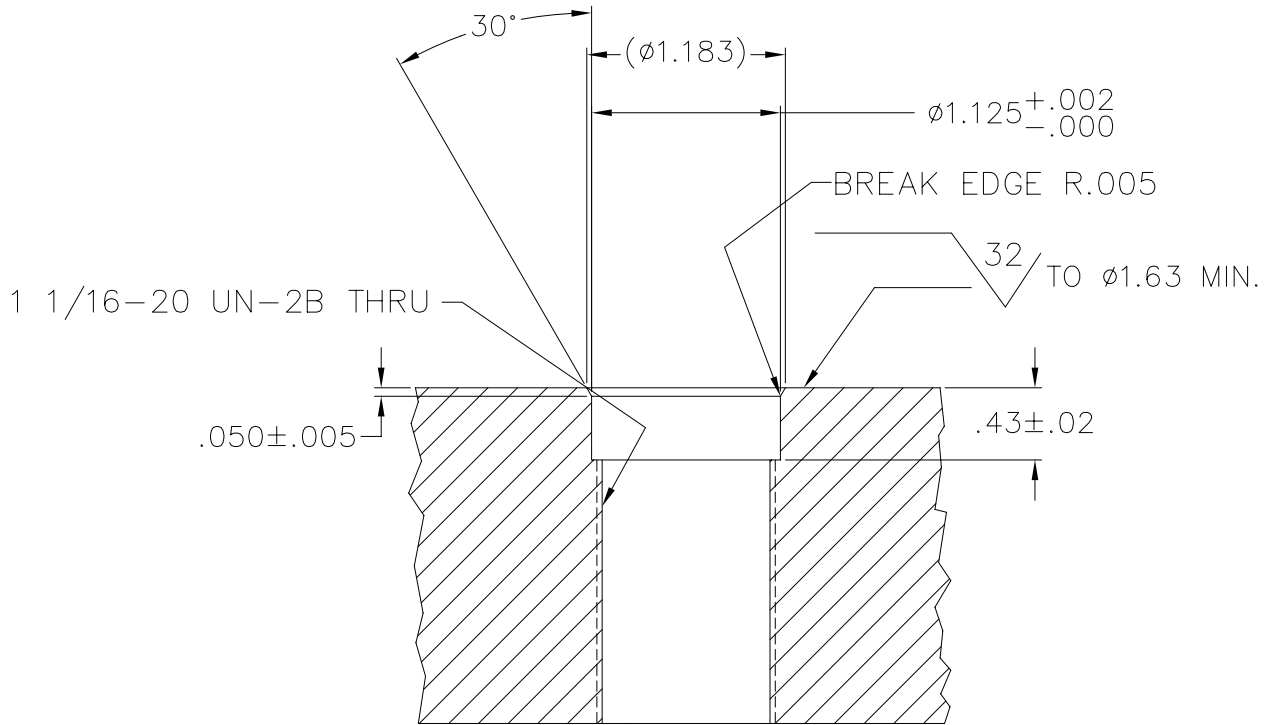
40-401-002-00



MILLENNIUM
SERIES

30-OR

RECOMMENDED MOUNTING CONFIGURATIONS



THREADED
BULKHEAD
HOLE

30-OR

1720 Fiske Place Oxnard, California 93033-1863
Phone: (805) 487-5393 FAX: (805) 487-0427 Email: service@birns.com
www.birns.com

USA Toll-Free:
888-BIRNS-88

40-401-003-01

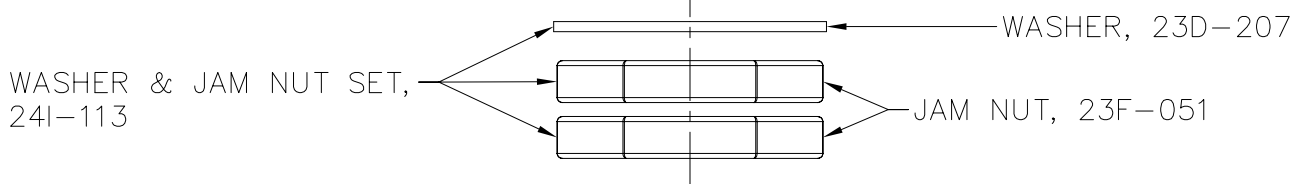
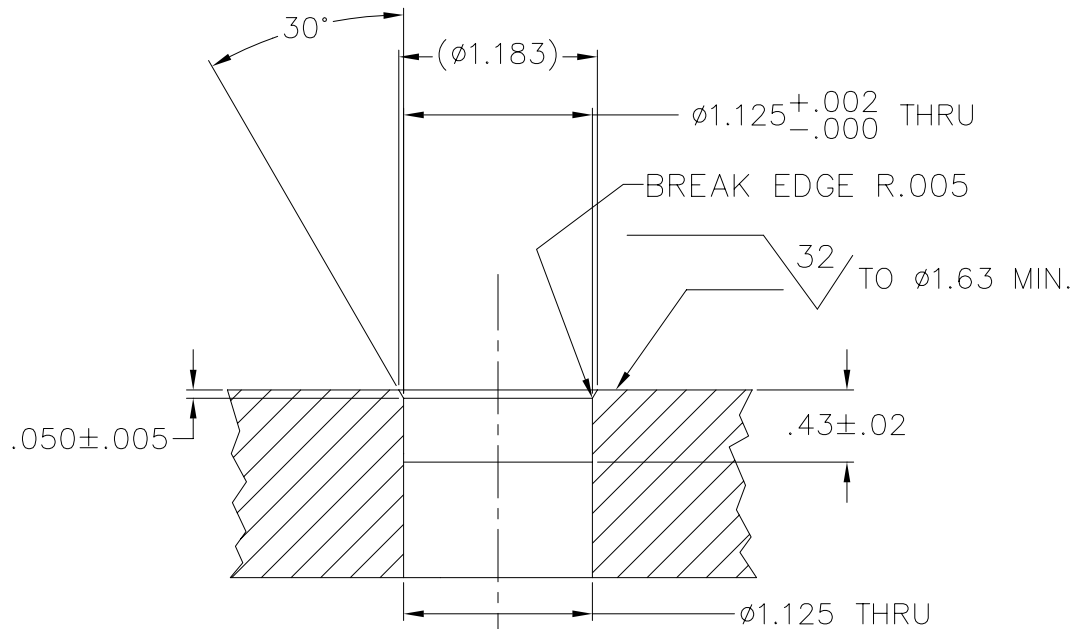
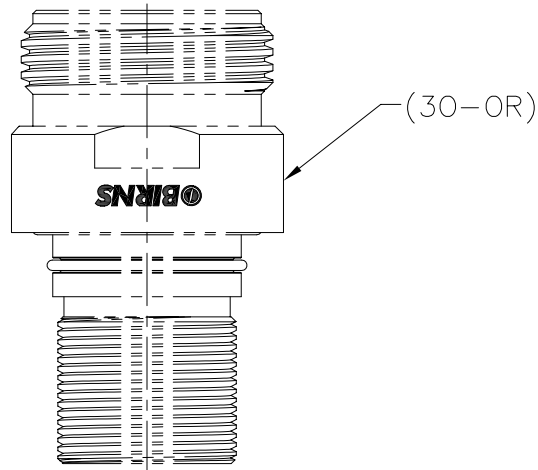


MILLENNIUM
SERIES

30-OR

RECOMMENDED MOUNTING CONFIGURATIONS

BULKHEAD
THRU-HOLE



30-OR

1720 Fiske Place Oxnard, California 93033-1863
Phone: (805) 487-5393 FAX: (805) 487-0427 Email: service@birns.com
www.birns.com

USA Toll-Free:
888-BIRNS-88