

40-325-001-00



MILLENNIUM SERIES

3M-CP-OFRA

NOTES: UNLESS OTHERWISE SPECIFIED.

1. MATES WITH 3M RECEPTACLE.
2. SEE 3M-PIS DATA SHEETS (40-365-001-00) FOR AVAILABLE INSERTS.



3M-CP-OFRA

1720 Fiske Place Oxnard, California 93033-1863
Phone: (805) 487-5393 FAX: (805) 487-0427 Email: service@birns.com
www.birns.com

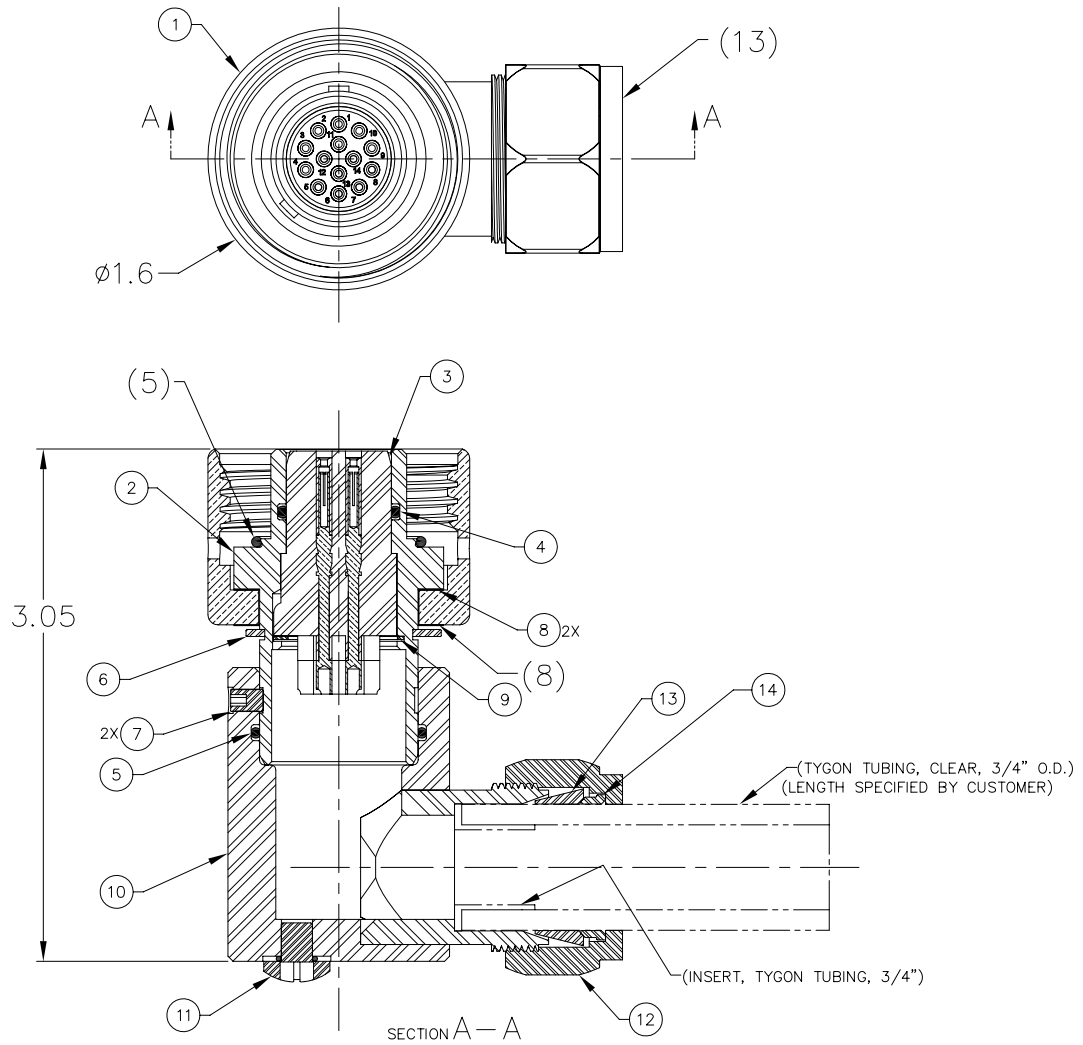
USA Toll-Free:
888-BIRNS-88

40-325-002-00



MILLENNIUM SERIES

3M-CP-OFRA



QTY REQD	CAGE CODE	PART OR IDENTIFYING NO.	NOMENCLATURE OR DESCRIPTION	MATERIAL SPECIFICATION	ZONE	ITEM NO
1		24K-404	FRONT FERRULE 3/4" FITTING	316 S.S.		14
1		24K-304	BACK FERRULE 3/4" FITTING	316 S.S.		13
1		24K-204	HEX NUT 3/4" HYDRAULIC FITTING	316 S.S.		12
1		23B-068	SEELSCREW, 10-32 X 1/4 LG	18-8 S.S.		11
1		24K-144	ADAPTER, 3M-CP-OFRA	316 S.S.		10
1		56B-004	RETAINING RING, UR-75-S	302 S.S.		9
2		23D-103	WASHER, SEASTROM 5710-754-005	316 S.S.		8
2		23B-103	SKT SET, 6-32 X 3/16 LG	316 S.S.		7
1		56B-081	RETAINER, TRUARC, 5100-093-H	PH 15-7 mo S.S.		6
2		59A-079	O-RING, 2-021	BUNA 70		5
1		59A-025	O-RING, 2-016	BUNA 70		4
1		3M-PIS	SOCKET INSERT ASSEMBLY	GRE E-484		3
1		24E-191	SHELL, 3M-CP	316 S.S.		2
1		24F-108	ENGAGING NUT	BRASS 360		1

SECTION A-A

3M-CP-OFRA

1720 Fiske Place Oxnard, California 93033-1863
 Phone: (805) 487-5393 FAX: (805) 487-0427 Email: service@birns.com
 www.birns.com

USA Toll-Free:
 888-BIRNS-88