

40-324-001-00

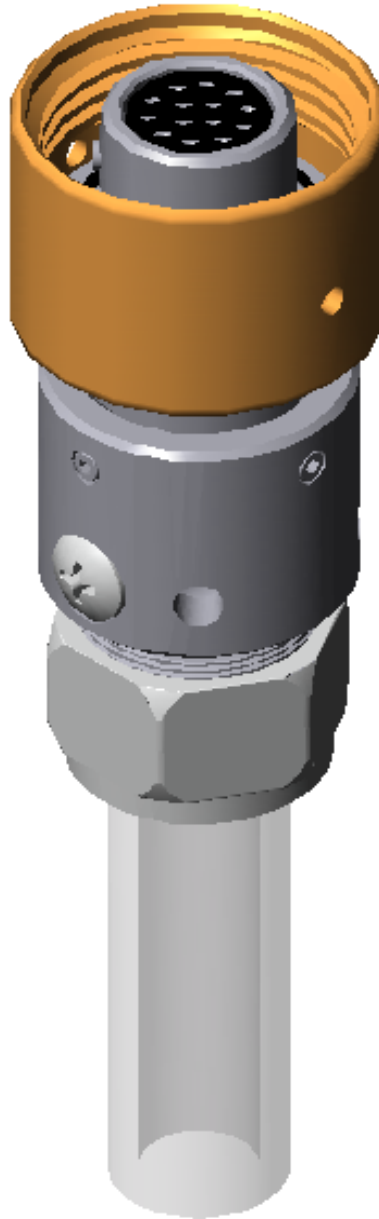


# MILLENNIUM SERIES

3M-CP-OF

NOTES: UNLESS OTHERWISE SPECIFIED.

1. MATES WITH 3M RECEPTACLE.
2. SEE 3M-PIS DATA SHEETS (40-365-001-00) FOR AVAILABLE INSERTS.



VIEW(S) SHOWN ASSEMBLED  
FOR REFERENCE ONLY

3M-CP-OF

1720 Fiske Place Oxnard, California 93033-1863  
Phone: (805) 487-5393 FAX: (805) 487-0427 Email: [service@birns.com](mailto:service@birns.com)  
[www.birns.com](http://www.birns.com)

USA Toll-Free:  
888-BIRNS-88

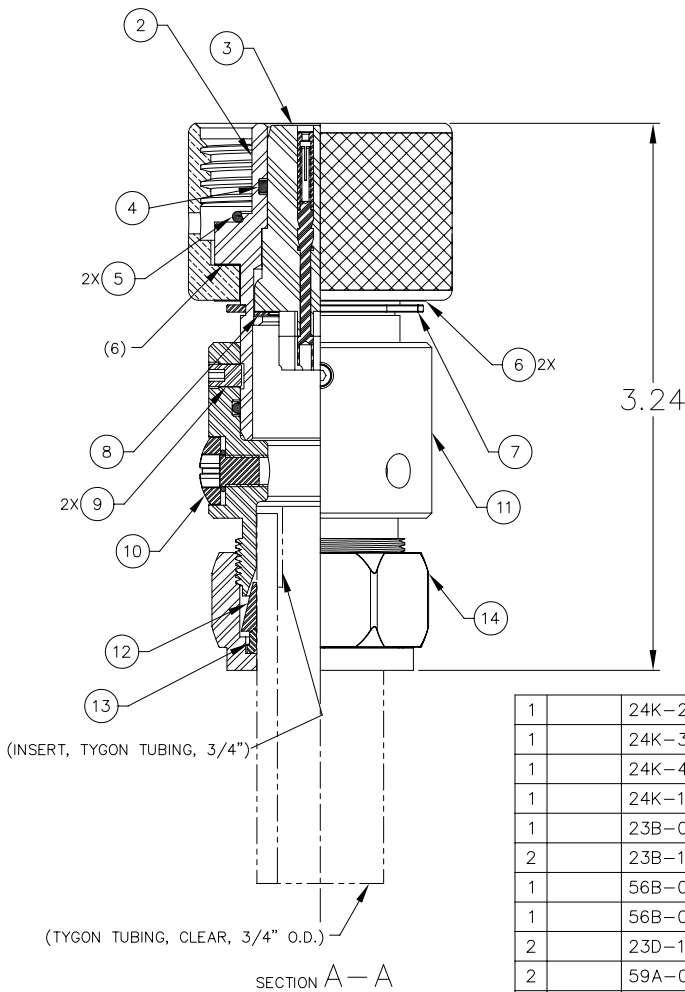
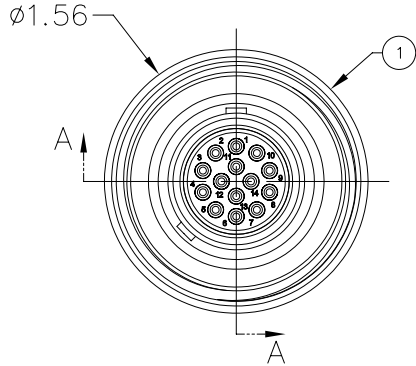
40-324-002-00



# MILLENNIUM SERIES

3M-CP-OF

3M-CP-OF



QTY REQD	CAGE CODE	PART OR IDENTIFYING NO.	NOMENCLATURE OR DESCRIPTION	MATERIAL SPECIFICATION	ZONE	ITEM NO
1		24K-204	NUT, 3/4" TUBE O.D.	316 S.S.		14
1		24K-304	BACK FERRULE, 3/4" TUBE O.D.	316 S.S.		13
1		24K-404	FRONT FERRULE, 3/4" TUBE O.D.	316 S.S.		12
1		24K-139	ADAPTER, 3M-CP-OF	316 S.S.		11
1		23B-068	SEELSCREW, 10-32 X 1/4 LG	18-8 S.S.		10
2		23B-103	SET SCREW, 6-32 X 3/16 LG	316 S.S.		9
1		56B-004	RETAINING RING, SPIROLOX UR-75-S	302 S.S.		8
1		56B-081	RETAINING RING, TRUARC 5100-093-H	S.S.		7
2		23D-103	WASHER, SEASTROM 5710-754-005	316 S.S.		6
2		59A-079	O-RING, 2-021	BUNA 70		5
1		59A-025	O-RING, 2-016	BUNA 70		4
1		3M-PIS	SOCKET INSERT ASSEMBLY	GRE E-484		3
1		24E-191	SHELL, 3M-CP	316 S.S.		2
1		24F-108	ENGAGING NUT	BRASS 360		1

PARTS LIST

1720 Fiske Place Oxnard, California 93033-1863  
 Phone: (805) 487-5393 FAX: (805) 487-0427 Email: [service@birns.com](mailto:service@birns.com)  
[www.birns.com](http://www.birns.com)

USA Toll-Free:  
 888-BIRNS-88