

40-323-001-00



MILLENNIUM SERIES

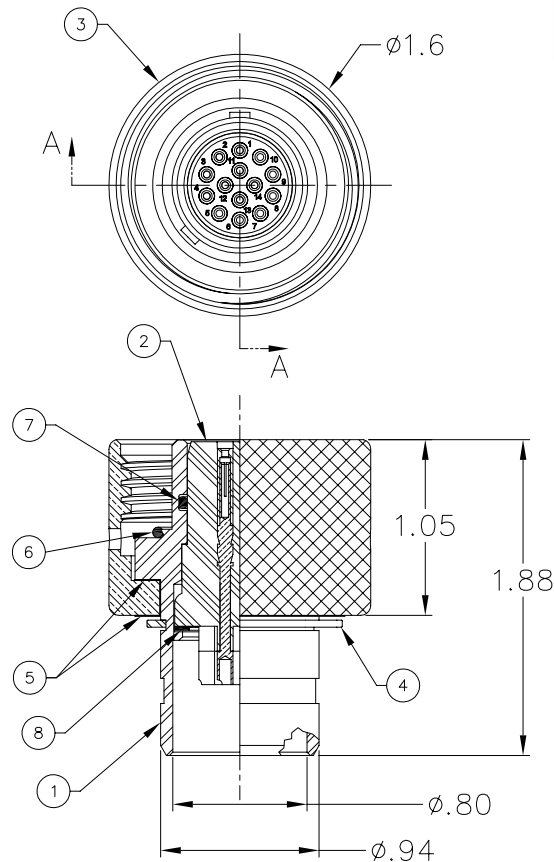
3M-CP

NOTES: UNLESS OTHERWISE SPECIFIED.

1. MATES WITH 3M RECEPTACLE.
2. SEE 3M-PIS DATA SHEETS (40-365-001-00) FOR AVAILABLE INSERTS.



VIEW(S) SHOWN ASSEMBLED
FOR REFERENCE ONLY



SECTION A - A

1		56B-004	RETAINING RING, SPIROLOX UR-75-S	302 S.S.		8
1		59A-025	O-RING, 2-016	BUNA 70		7
1		59A-079	O-RING, 2-021	BUNA 70		6
2		23D-103	WASHER, SEASTROM 5710-754-005	316 S.S.		5
1		56B-081	RETAINER, TRUARC, 5100-093-S	316 S.S.		4
1		24F-108	ENGAGING NUT	BRASS 360		3
1		3M-PIS	SOCKET INSERT ASSEMBLY	VARIOUS		2
1		24E-191	SHELL, 3M-CP	316 S.S.		1
QTY REQD	CAGE CODE	PART OR IDENTIFYING NO.	NOMENCLATURE OR DESCRIPTION	MATERIAL SPECIFICATION	ZONE	ITEM NO

PARTS LIST

1720 Fiske Place Oxnard, California 93033-1863
 Phone: (805) 487-5393 FAX: (805) 487-0427 Email: service@birns.com
www.birns.com

USA Toll-Free:
888-BIRNS-88

SPECIFICATIONS SUBJECT TO CHANGE WITHOUT NOTICE.

3M-CP