

40-321-001-00

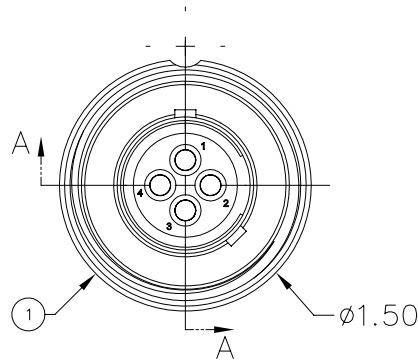


MILLENNIUM SERIES

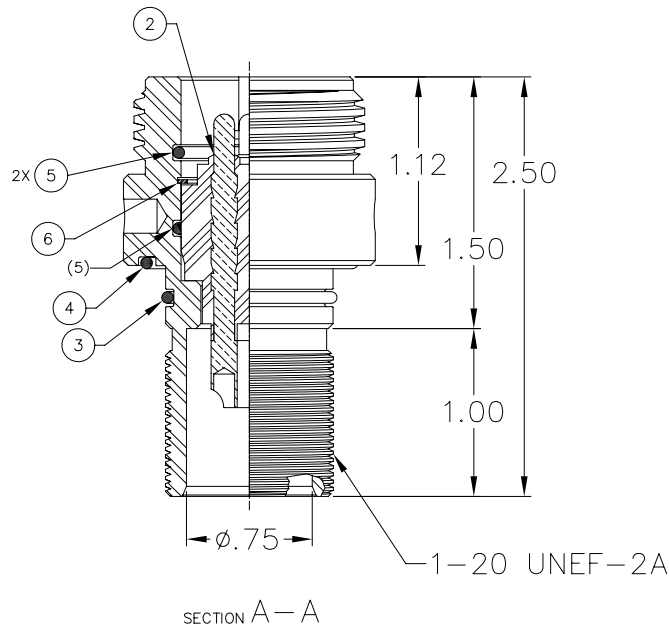
3M-OR

NOTES: UNLESS OTHERWISE SPECIFIED.

1. MATES WITH 3M-CP.
2. SEE 3M-RIP DATA SHEETS (40-350-001-00) FOR AVAILABLE INSERTS.



VIEW(S) SHOWN ASSEMBLED FOR REFERENCE ONLY



3M-OR

1		56B-044	RETAINING RING, SPIROLOX UR-81-S	302 S.S.		6
2		59A-097	O-RING, 2-019	BUNA 70		5
1		59A-101	O-RING, 2-024	BUNA 70		4
1		59A-026	O-RING, 2-020	BUNA 70		3
1		3M-RIP	INSERT ASSY., PIN, 3M CONNECTOR	VARIOUS		2
1		24E-217	SHELL, 3M-OR	316 S.S.		1
QTY REQD	CAGE CODE	PART OR IDENTIFYING NO.	NOMENCLATURE OR DESCRIPTION	MATERIAL SPECIFICATION	ZONE	ITEM NO
PARTS LIST						

1720 Fiske Place Oxnard, California 93033-1863
 Phone: (805) 487-5393 FAX: (805) 487-0427 Email: service@birns.com
www.birns.com

USA Toll-Free:
 888-BIRNS-88

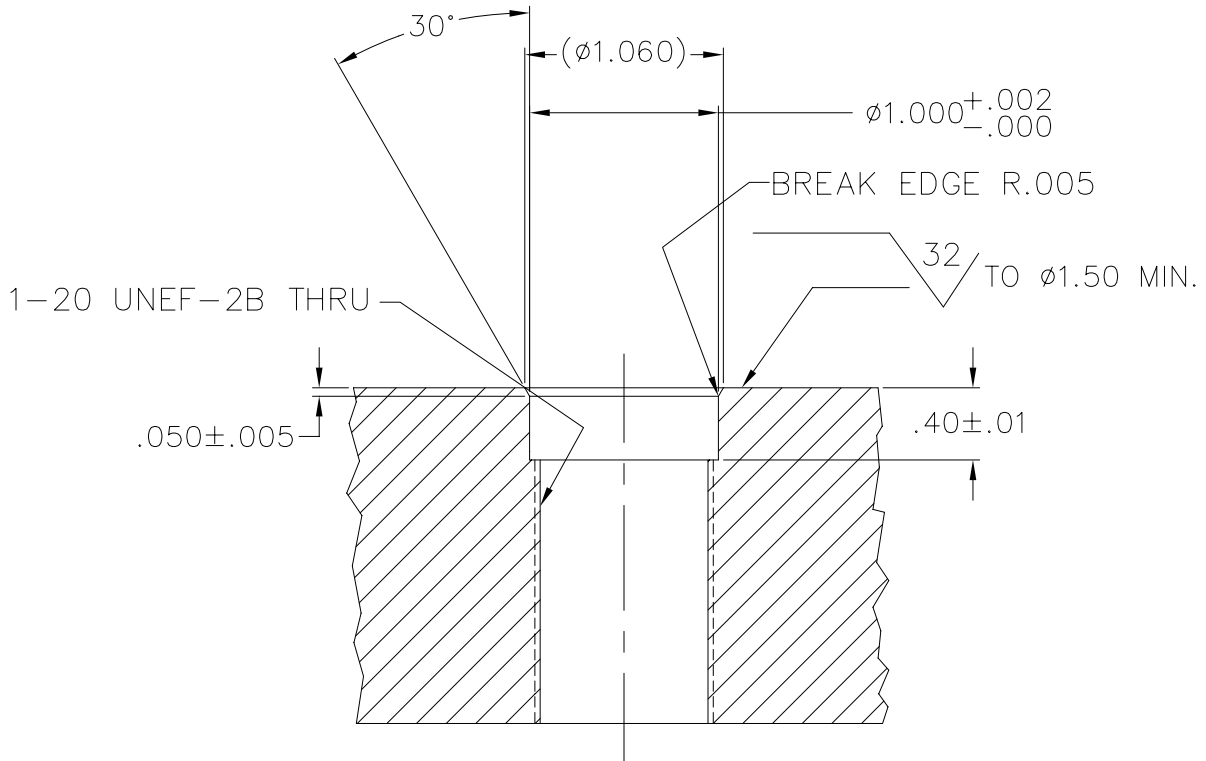
40-321-002-00



MILLENNIUM
SERIES

3M-OR

RECOMMENDED MOUNTING CONFIGURATIONS



THREADED
BULKHEAD
HOLE

3M-OR

1720 Fiske Place Oxnard, California 93033-1863
Phone: (805) 487-5393 FAX: (805) 487-0427 Email: service@birns.com
www.birns.com

USA Toll-Free:
888-BIRNS-88

40-321-003-01

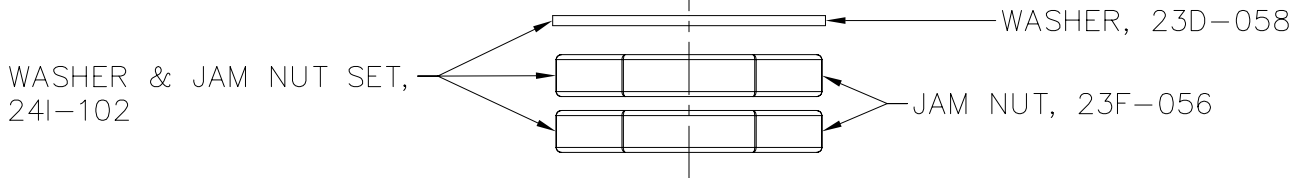
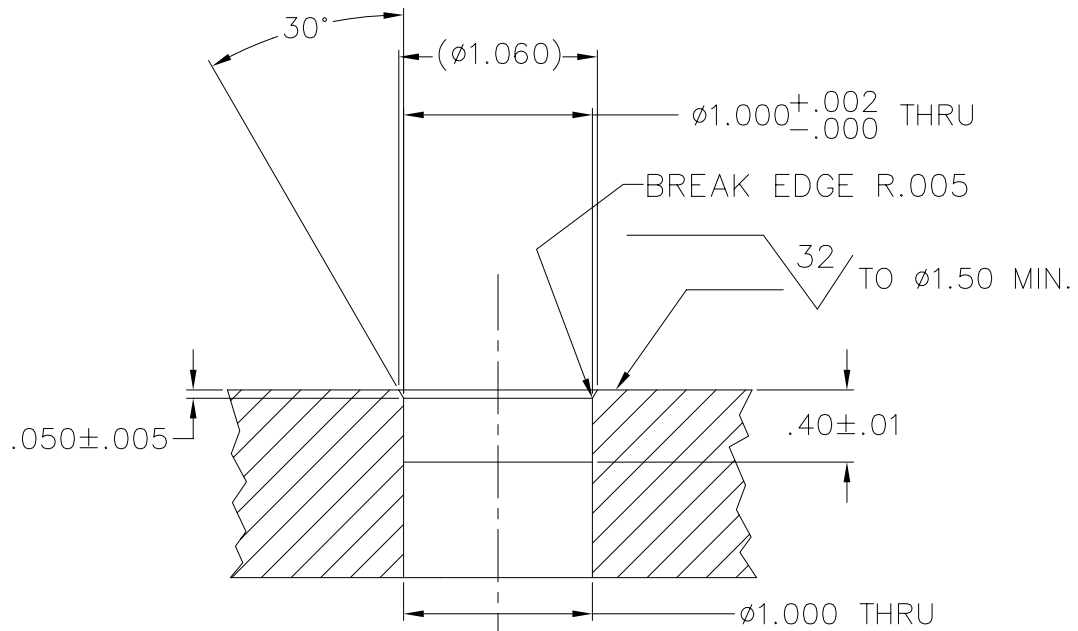
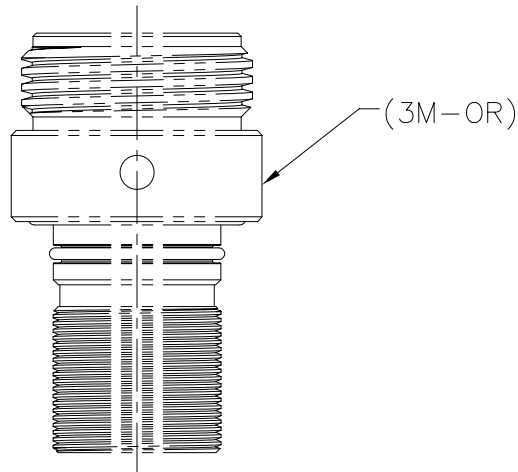


MILLENNIUM
SERIES

3M-OR

RECOMMENDED MOUNTING CONFIGURATIONS

BULKHEAD
THRU-HOLE



3M-OR

1720 Fiske Place Oxnard, California 93033-1863
Phone: (805) 487-5393 FAX: (805) 487-0427 Email: service@birns.com
www.birns.com

USA Toll-Free:
888-BIRNS-88