

40-244-001-00



MILLENNIUM SERIES

3L-CP-OF

NOTES: UNLESS OTHERWISE SPECIFIED.

1. MATES WITH 3L RECEPTACLE.
2. SEE 3L-PIS DATA SHEETS (40-275-001-00) FOR AVAILABLE INSERTS.



3L-CP-OF

1720 Fiske Place Oxnard, California 93033-1863
Phone: (805) 487-5393 FAX: (805) 487-0427 Email: service@birns.com
www.birns.com

USA Toll-Free:
888-BIRNS-88

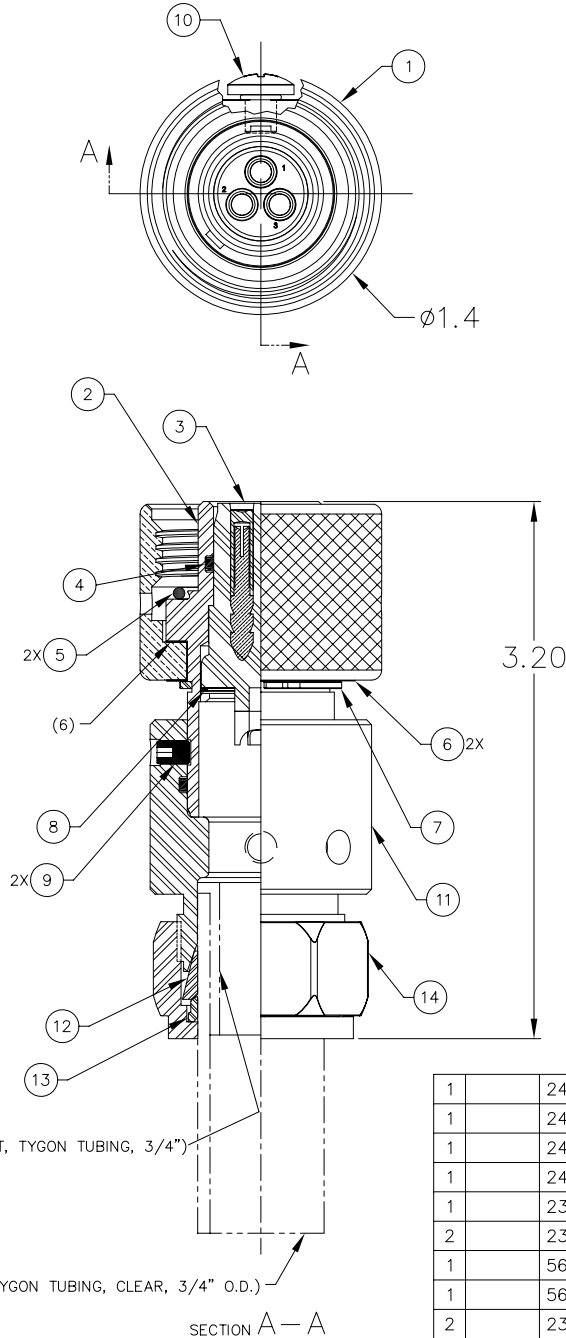
40-244-002-00



MILLENNIUM SERIES

3L-CP-OF

3L-CP-OF



1	24K-204	NUT, 3/4" TUBE O.D.	316 S.S.		14	
1	24K-304	BACK FERRULE, 3/4" TUBE O.D.	316 S.S.		13	
1	24K-404	FRONT FERRULE, 3/4" TUBE O.D.	316 S.S.		12	
1	24K-138	ADAPTER, 3L-CP-OF	316 S.S.		11	
1	23B-068	SEELSCREW, 10-32 X 1/4 LG	18-8 S.S.		10	
2	23B-103	SET SCREW, 6-32 X 3/16 LG	316 S.S.		9	
1	56B-053	RETAINING RING, SPIROLOX UR-068-S	302 S.S.		8	
1	56B-016	RETAINING RING, TRUARC 5100-87-H	S.S.		7	
2	23D-102	WASHER, SEASTROM 5710-354-005	316 S.S.		6	
2	59A-026	O-RING, 2-020	BUNA 70		5	
1	59A-059	O-RING, 2-015	BUNA 70		4	
1	3L-PIS	SOCKET INSERT ASSEMBLY	GRE E-484		3	
1	24E-189	SHELL, 3L-CP	316 S.S.		2	
1	24F-111	ENGAGING NUT, 3L-CP	BRASS 360		1	
QTY REQD	CAGE CODE	PART OR IDENTIFYING NO.	NOMENCLATURE OR DESCRIPTION	MATERIAL SPECIFICATION	ZONE	ITEM NO

PARTS LIST

1720 Fiske Place Oxnard, California 93033-1863
 Phone: (805) 487-5393 FAX: (805) 487-0427 Email: service@birns.com
 www.birns.com

USA Toll-Free:
 888-BIRNS-88