

40-153-001-00



MILLENNIUM SERIES

3G-CP-OF

NOTES: UNLESS OTHERWISE SPECIFIED.

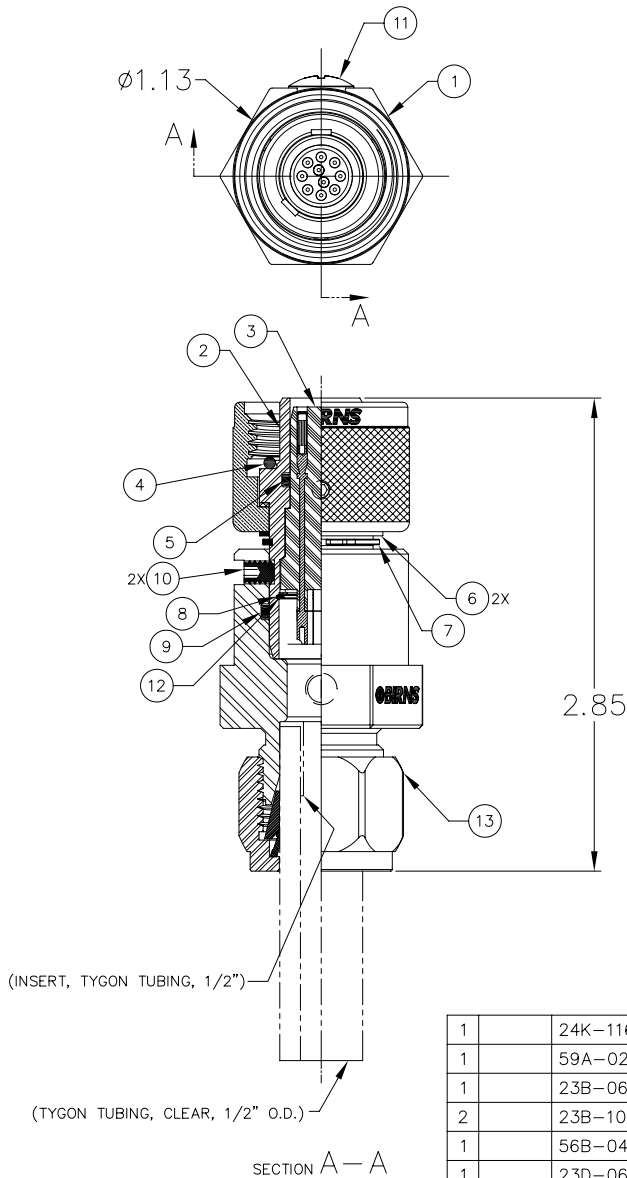
1. MATES WITH 3G RECEPTACLE.
2. SEE 3G-PIS DATA SHEETS (40-155-001-00) FOR AVAILABLE INSERTS.



3G-CP-OF

1720 Fiske Place Oxnard, California 93033-1863
Phone: (805) 487-5393 FAX: (805) 487-0427 Email: service@birns.com
www.birns.com

USA Toll-Free:
888-BIRNS-88



1		24K-116	ADAPTER, 3G-CP-OF (1/2" TUBE O.D.)	316 S.S.		13
1		59A-025	O-RING, 2-016	BUNA 70		12
1		23B-068	SEELSCREW, 10-32 X 1/4 LG	18-8 S.S.		11
2		23B-103	SET SCREW, 6-32 X 3/16 LG	316 S.S.		10
1		56B-047	RETAINING RING, SPIROLOX UR-50-S	302 S.S.		9
1		23D-064	WASHER, $\phi.498 \times \phi.408 \times .010$	302 S.S.		8
1		56B-065	RETAINING RING, TRUARC 5100-62-H	S.S.		7
2		23D-057	WASHER, $\phi.743 \times \phi.630 \times .025$	302 S.S.		6
1		59A-074	O-RING, 2-012	BUNA 70		5
1		59A-059	O-RING, 2-015	BUNA 70		4
1		3G-PIS	SOCKET INSERT ASSEMBLY	GRE		3
1		24E-135	SHELL, 3G-CP	316 S.S.		2
1		24F-026	ENGAGING NUT	BRASS 360		1
QTY REQD	CAGE CODE	PART OR IDENTIFYING NO.	NOMENCLATURE OR DESCRIPTION	MATERIAL SPECIFICATION	ZONE	ITEM NO

PARTS LIST

1720 Fiske Place Oxnard, California 93033-1863
 Phone: (805) 487-5393 FAX: (805) 487-0427 Email: service@birns.com
 www.birns.com

USA Toll-Free:
 888-BIRNS-88