



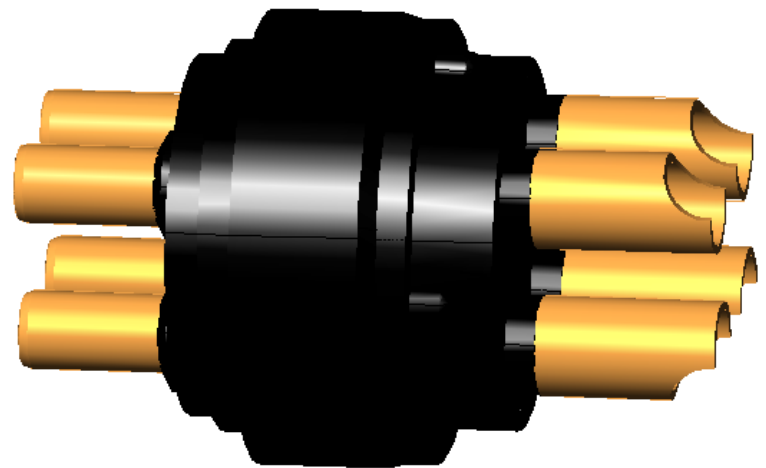
**METAL SHELL  
SERIES**

24D-418

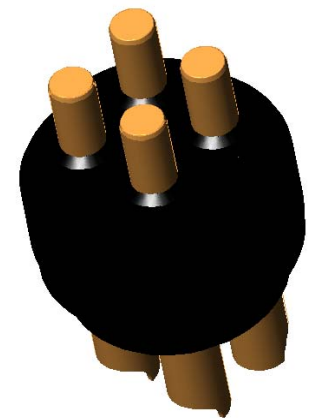
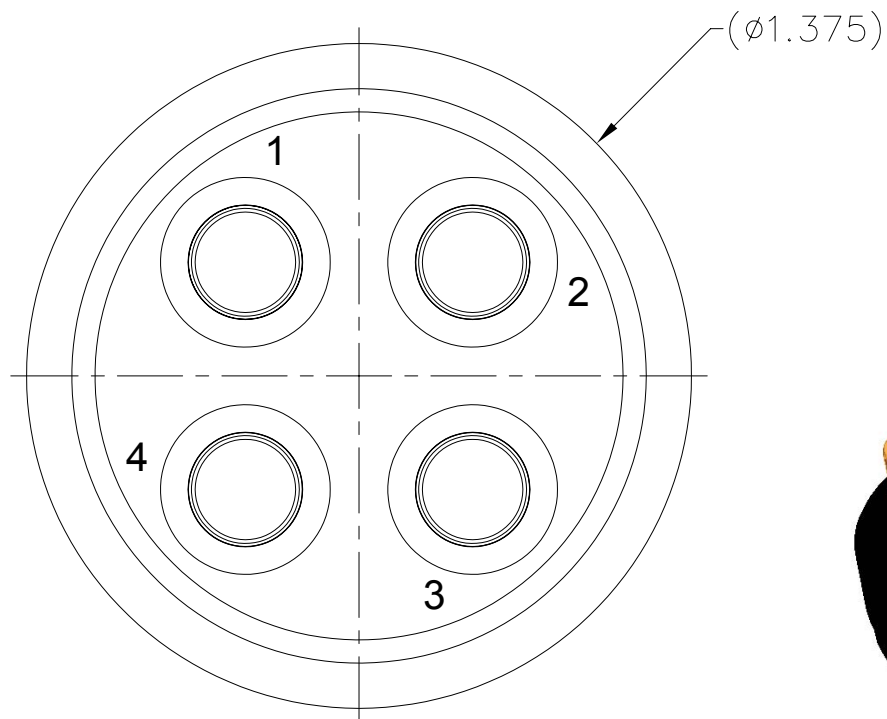
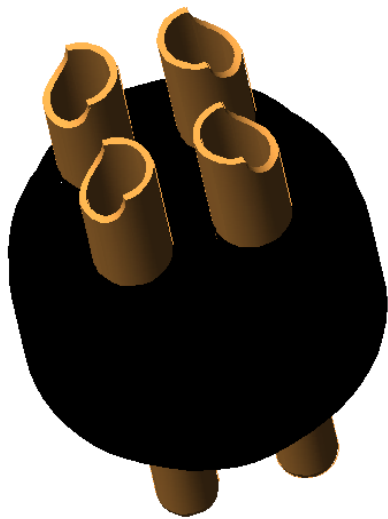
TABLE 1: AVAILABLE INSERTS

PART NO.	CONTACT SIZES
24D-418-1	16, #16
24D-418-2	24, #16
24D-418-3	30, #20
24D-418-4	16, #16 16, #20
24D-418-5	40, #20
24D-418-6	3, #8 3, #10
24D-418-7	4, #10 9, #16
24D-418-8	3, #8 5, #16
24D-418-9	4, #4

24D-418-9



24D-418



FACE VIEWS

PIN CONFIGURATION

1720 Fiske Place Oxnard, California 93033-1863  
 Phone: (805) 487-5393 FAX: (805) 487-0427 Email: [service@birns.com](mailto:service@birns.com)  
[www.birns.com](http://www.birns.com)

USA Toll-Free:  
 888-BIRNS-88