

35-060-007-00



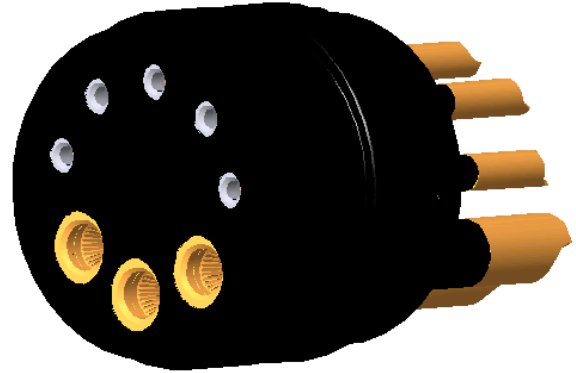
**METAL SHELL
SERIES**

24D-419

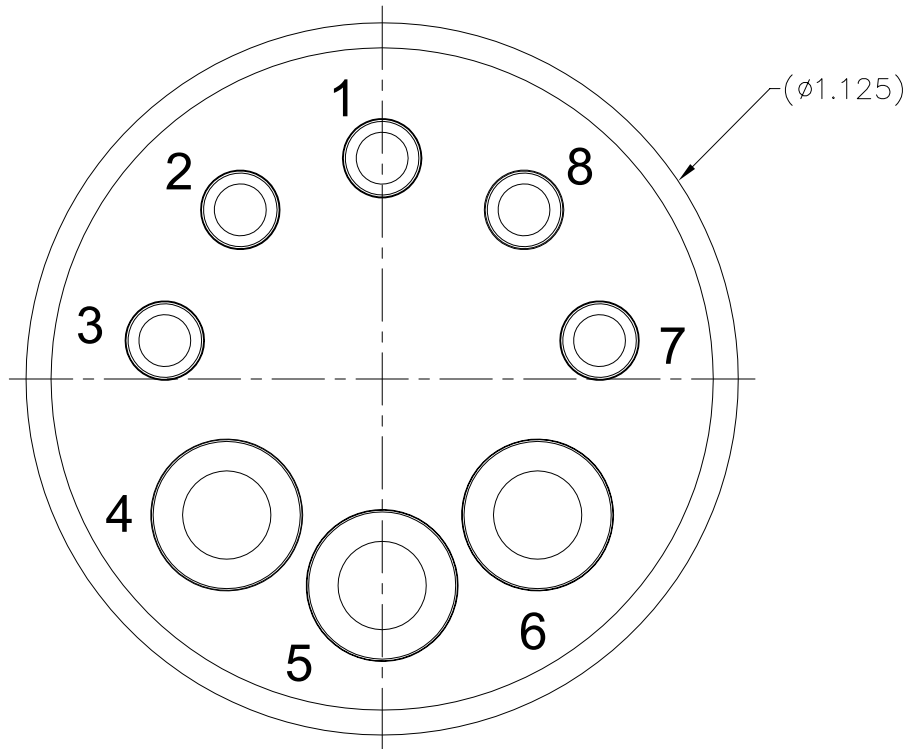
TABLE 1: AVAILABLE INSERTS

| PART NO. | CONTACT SIZES |
|-----------|--------------------|
| 24D-419-1 | 16, #16 |
| 24D-419-2 | 24, #16 |
| 24D-419-3 | 30, #20 |
| 24D-419-4 | 16, #16 16, #20 |
| 24D-419-5 | 40, #20 |
| 24D-419-6 | 3, #8 3, #10 |
| 24D-419-8 | 3, #8 5, #16 |

24D-419-8



24D-419



FACE VIEWS

SOCKET CONFIGURATION

1720 Fiske Place Oxnard, California 93033-1863
 Phone: (805) 487-5393 FAX: (805) 487-0427 Email: service@birns.com
 www.birns.com

USA Toll-Free:
 888-BIRNS-88