

35-049-001-00

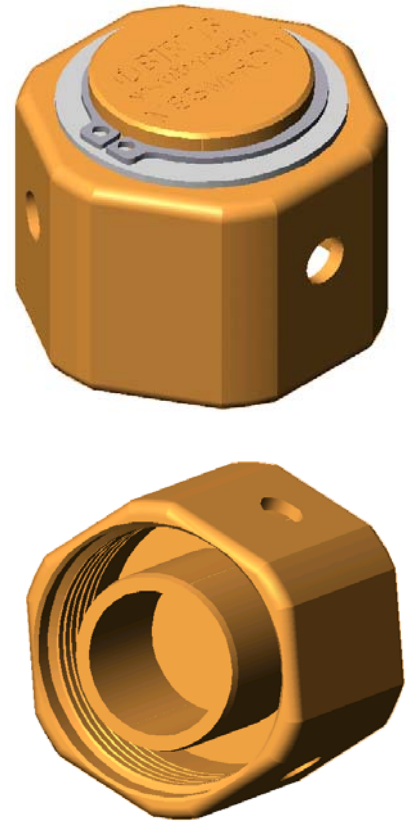
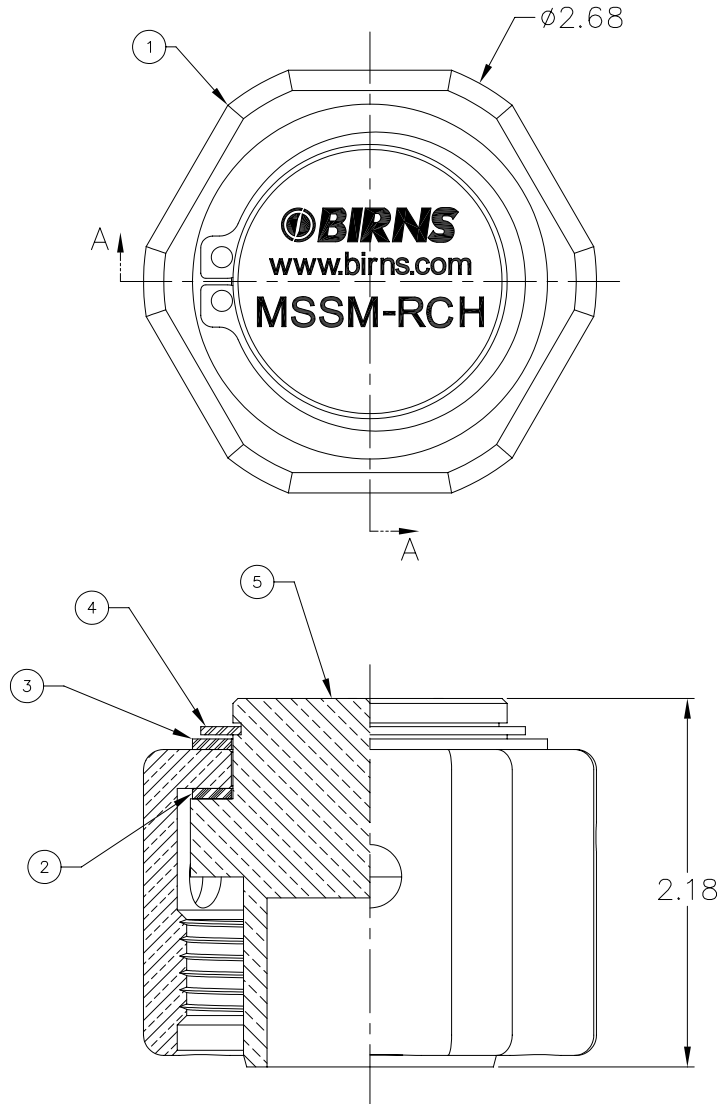


# METAL SHELL SERIES

MSSM-RCH

NOTES: UNLESS OTHERWISE SPECIFIED.

1. MATES WITH MSSM RECEPTACLE.



1		24C-031	RECEPTACLE CAP, MSSM-RCH	BRASS 360		5
1		56B-019	SNAP RING, 5100-162-H	316 S.S.		4
1		23D-032	WASHER, 1.64 X 2.12 X 1/16	S.S.		3
1		23D-033	WASHER, 1.64 X 2.12 X 1/16	NYLON		2
1		24F-006	ENGAGING NUT, MSSM-CP	BRASS 464		1
QTY REQD	CAGE CODE	PART OR IDENTIFYING NO.	NOMENCLATURE OR DESCRIPTION	MATERIAL SPECIFICATION	ZONE	ITEM NO

PARTS LIST

1720 Fiske Place Oxnard, California 93033-1863  
 Phone: (805) 487-5393 FAX: (805) 487-0427 Email: [service@birns.com](mailto:service@birns.com)  
[www.birns.com](http://www.birns.com)

USA Toll-Free:  
888-BIRNS-88

MSSM-RCH