

35-044-001-00

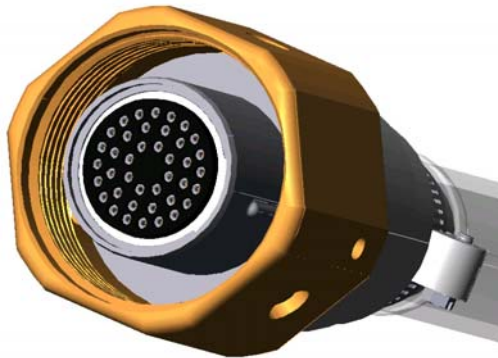
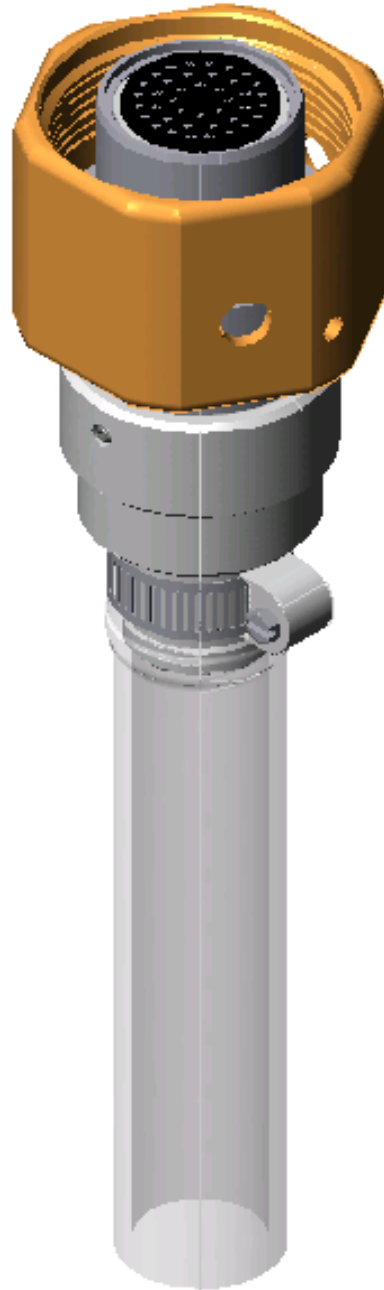
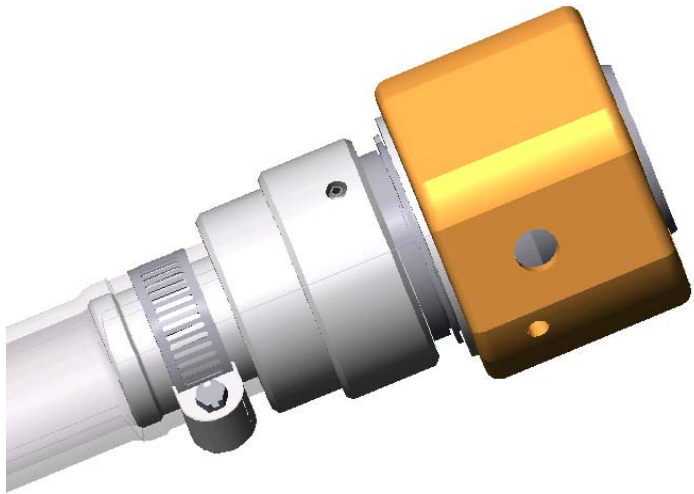


METAL SHELL SERIES

MSSM-CP-OH

NOTES: UNLESS OTHERWISE SPECIFIED.

1. MATES WITH MSSM RECEPTACLE.
2. SEE MSSM-PIS DATA SHEETS (35-060-001-00) FOR AVAILABLE INSERTS.



MSSM-CP-OH

1720 Fiske Place Oxnard, California 93033-1863
Phone: (805) 487-5393 FAX: (805) 487-0427 Email: service@birns.com
www.birns.com

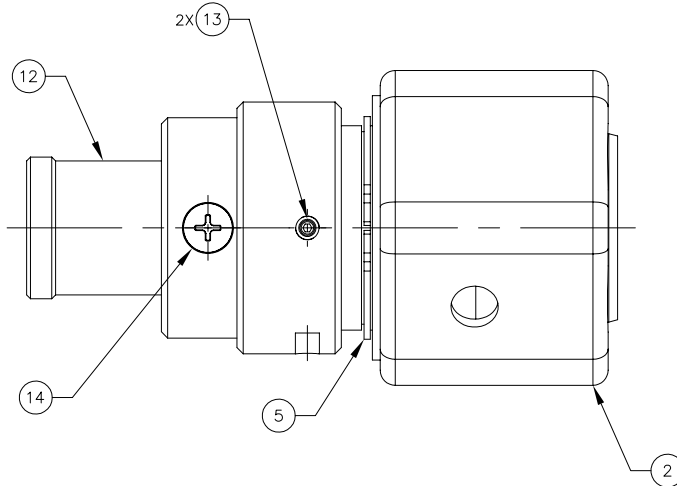
USA Toll-Free:
888-BIRNS-88

35-044-002-00

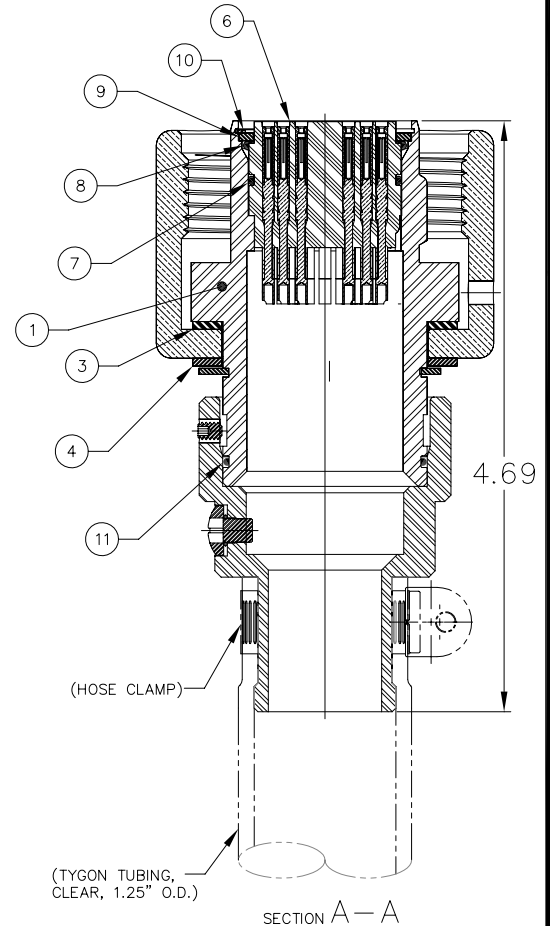
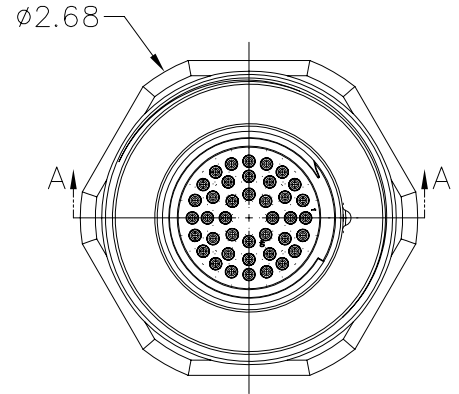


METAL SHELL SERIES

MSSM-CP-OH



VIEW SHOWN WITHOUT TYGON TUBING & HOSE CLAMP



SECTION A-A

QTY REQD	CAGE CODE	PART OR IDENTIFYING NO.	NOMENCLATURE OR DESCRIPTION	MATERIAL SPECIFICATION	ZONE	ITEM NO
1		23B-068	SEELSCREW, 10-32 X 1/4 LG	18-8 S.S.		14
2		23B-103	SET SCREW, 10-32 X 1/4 LG	S.S.		13
1		24K-007	ADAPTER, MSSM-CP, OIL FILL, STRAIGHT	316 S.S.		12
1		59A-020	O-RING, 2-029	BUNA 70		11
1		56B-014	SNAP RING, UR-137-S	S.S.		10
1		23D-031	WASHER, 1.374 X 1.125 X 1/16	S.S.		9
1		59A-101	O-RING, 2-024	BUNA 70		8
1		59A-070	O-RING, 2-022	BUNA 70		7
1		24D-419	INSERT ASSY., MSSM-CCP CONN.	VARIOUS		6
1		56B-019	SNAP RING, 5100-162-H	316 S.S.		5
1		23D-032	WASHER, 1.64 X 2.12 X 1/16	S.S.		4
1		23D-033	WASHER, 1.64 X 2.12 X 1/16	NYLON		3
1		24F-006-1	ENGAGING NUT, MSSM-CP	BRASS 464		2
1		24E-036	SHELL, MSSM-CP, OH, SHORT	316 S.S.		1

PARTS LIST

1720 Fiske Place Oxnard, California 93033-1863
 Phone: (805) 487-5393 FAX: (805) 487-0427 Email: service@birns.com
www.birns.com

USA Toll-Free:
 888-BIRNS-88

MSSM-CP-OH