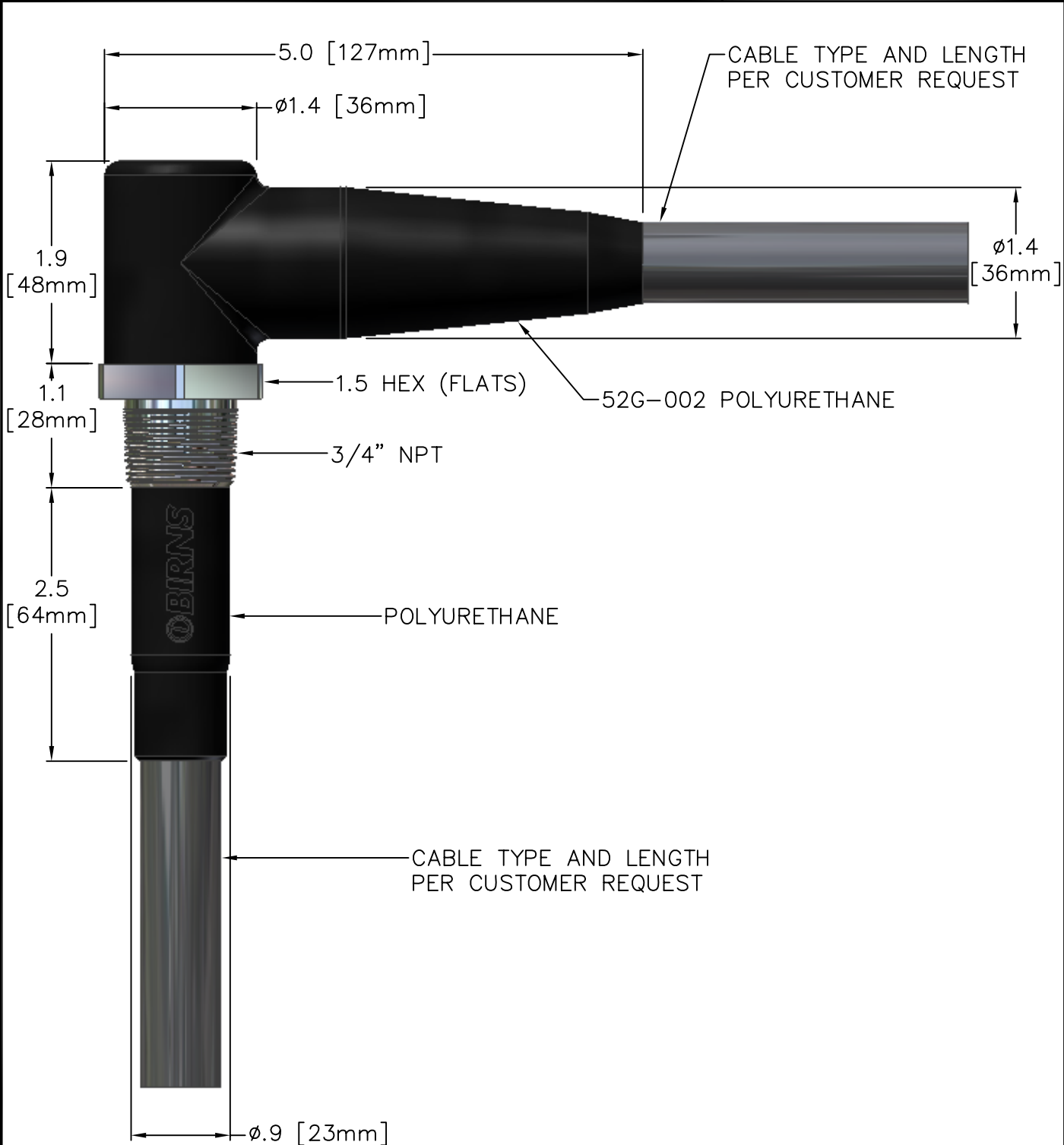




PENETRATORS

P19N



P19N

DIMENSIONS ARE IN INCHES [mm]

1720 Fiske Place Oxnard, California 93033-1863
 Phone: (805) 487-5393 FAX: (805) 487-0427 Email: service@birns.com
www.birns.com

USA Toll-Free:
 888-BIRNS-88

SPECIFICATIONS SUBJECT TO CHANGE WITHOUT NOTICE.