

30-080-001-00

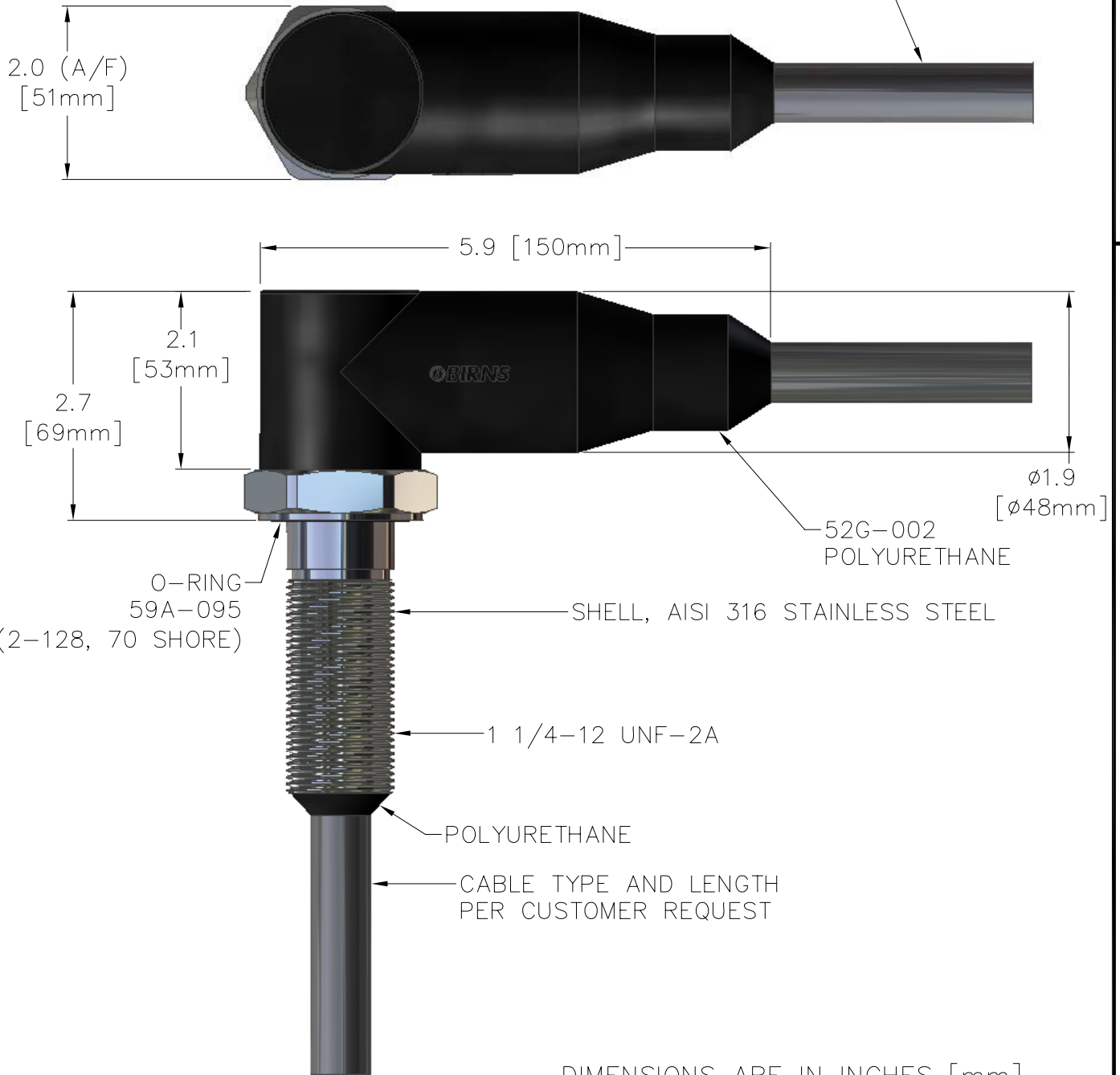


PENETRATORS

P3286

P3286

CABLE TYPE AND LENGTH PER CUSTOMER REQUEST

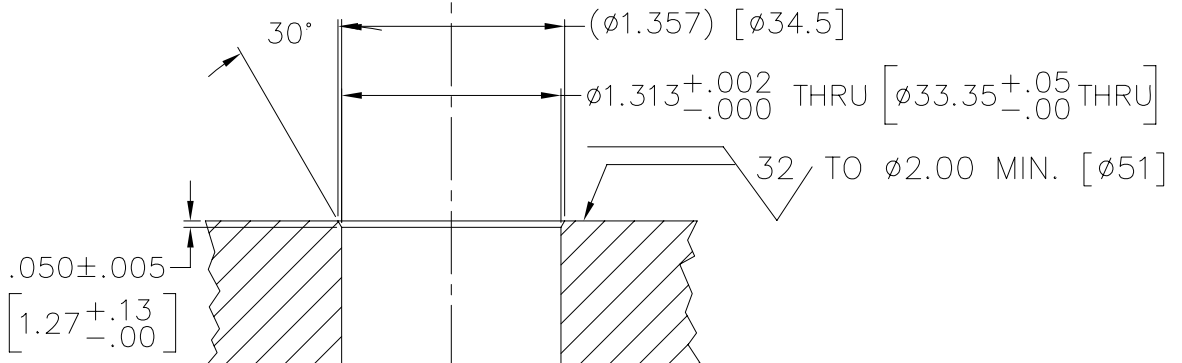
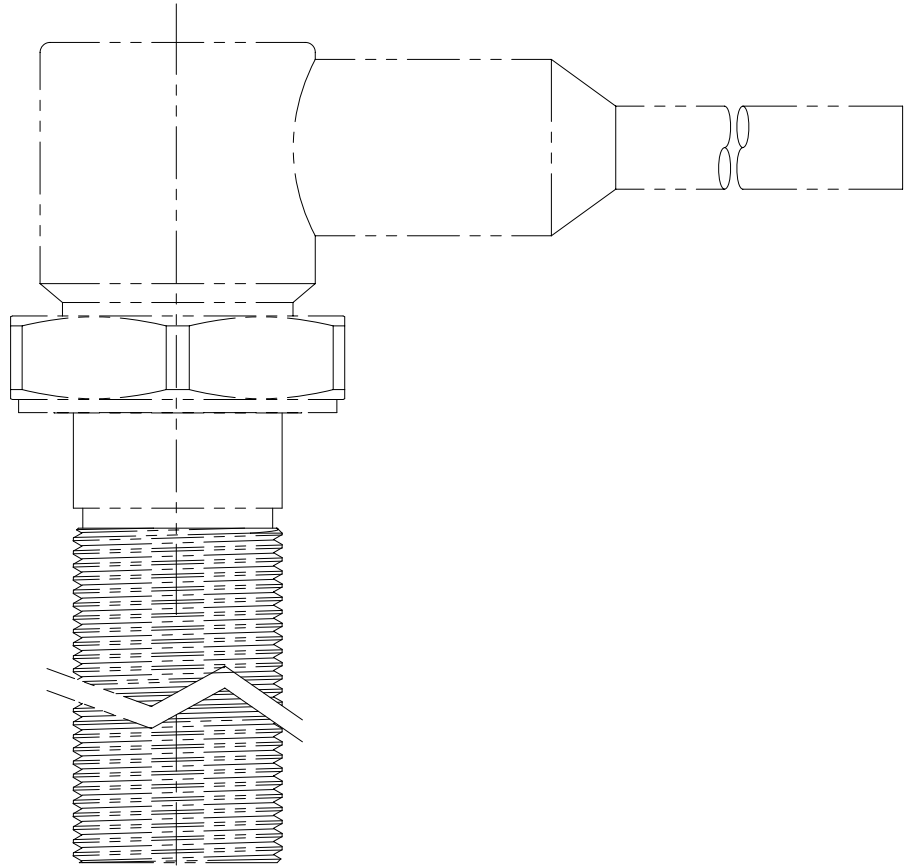


DIMENSIONS ARE IN INCHES [mm]

1720 Fiske Place Oxnard, California 93033-1863
 Phone: (805) 487-5393 FAX: (805) 487-0427 Email: service@birns.com
www.birns.com

USA Toll-Free:
 888-BIRNS-88

RECOMMENDED MOUNTING



WASHER & JAM NUT SET, 24I-950

WASHER, 23D-041

JAM NUT, 23F-068

DIMENSIONS ARE IN INCHES [mm]

P3286