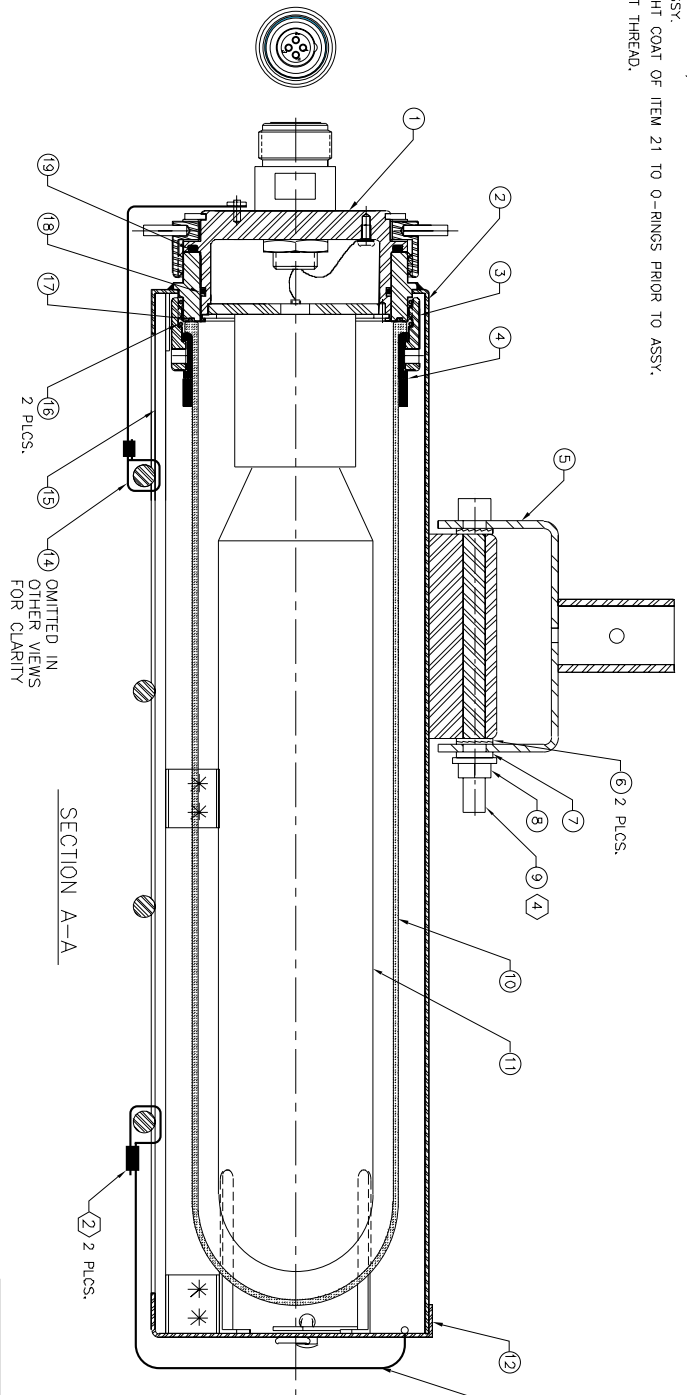


NOTE: The information contained herein was prepared by the manufacturer and is not intended to be used for any other purpose. It is the responsibility of the user to verify the accuracy of the information and to take appropriate action if any discrepancy is noted. Reproduction rights are reserved. No part of this document may be reproduced without the prior written permission of the manufacturer.

- NOTES:
1. ALL THREADS ARE TO BE PAINTED WITH NUCLEAR GRADE ANTI-SEIZE COMPOUND, ITEM 20.
 2. CRIMP AT ASSY.
 3. APPLY A LIGHT COAT OF ITEM 21 TO O-RINGS PRIOR TO ASSY.
 4. DEFORM LAST THREAD.



SECTION A-A

ITEM NO.	QTY	DESCRIPTION	MATERIAL	SPEC
21	1	AR 52K-005 SILICONE GREASE OR EQUIV	SILICONE	N-5000
20	1	AR 52K-006 NUCLEAR UBERONUM N-5000 OR EQUIV	NICKEL	N-5000
19	1	52K-154 O-RING, 2-237	FEDM	6893-80
18	1	52K-152 O-RING, 2-237	FEDM	6893-80
17	1	52K-153 O-RING, 2-154	FEDM	6893-80
16	2	52K-153 O-RING, 2-154	FEDM	6893-80
15	1	62B-005 SCREEN	304	304
14	1	17A-008 LANIARD ASSY	S.S.	302
13	1	17A-009 LANIARD ASSY	S.S.	302
12	1	14A-012 COVER	S.S.	304

ITEM NO.	QTY	DESCRIPTION	MATERIAL	SPEC
11	1	32G-003 LAMP 1000W HPSV	QUARTZ	COMWT
10	1	35B-030 DOME CORONA	QUARTZ	COMWT
9	1	23A-007 SHCS 3/8-16 X 3 LG.	S.S.	18-8
8	1	23E-001 HEX NUT, 3/8	S.S.	18-8
7	1	23E-002 LOCK WASHER, 3/8	S.S.	18-8
6	2	44A-048 YOKE POLE TO LIGHT	S.S.	316
5	1	44A-048 YOKE POLE TO LIGHT	S.S.	304
4	1	56D-014 SUPPORT RING, DOME CUSHION	ROVERLUM	DOMM BK
3	1	56B-046 RETAINING RING	S.S.	304
2	1	41B-007 REFLECTOR	S.S.	304
1	1	56B-048 REAR NUT ASSY	S.S.	304

BIRNS

TITLE: CORONA LAMP HEAD ASSY, MODEL 5220

DATE: 960127

DATE: 960131

DATE: 960202

DATE: 960209

SCALE: 1/1

UNIT: V.T. 20 LBS EST

SHEET: 2 OF 2

APPROVED: [Signature]

DATE: 960209

SCALE: 1/1

UNIT: V.T. 20 LBS EST

SHEET: 2 OF 2

LAMP SOCKET INSERT

GREEN 1

WHITE 2

BLACK 3

4

WIRING DIAGRAM

ZONE	REV	DESCRIPTION	DATE	APPROVED
0	1	SEC SHEET 1	960809	E. BIRNS

REV	DESCRIPTION	DATE	APPROVED
1	SEC SHEET 1	960809	E. BIRNS