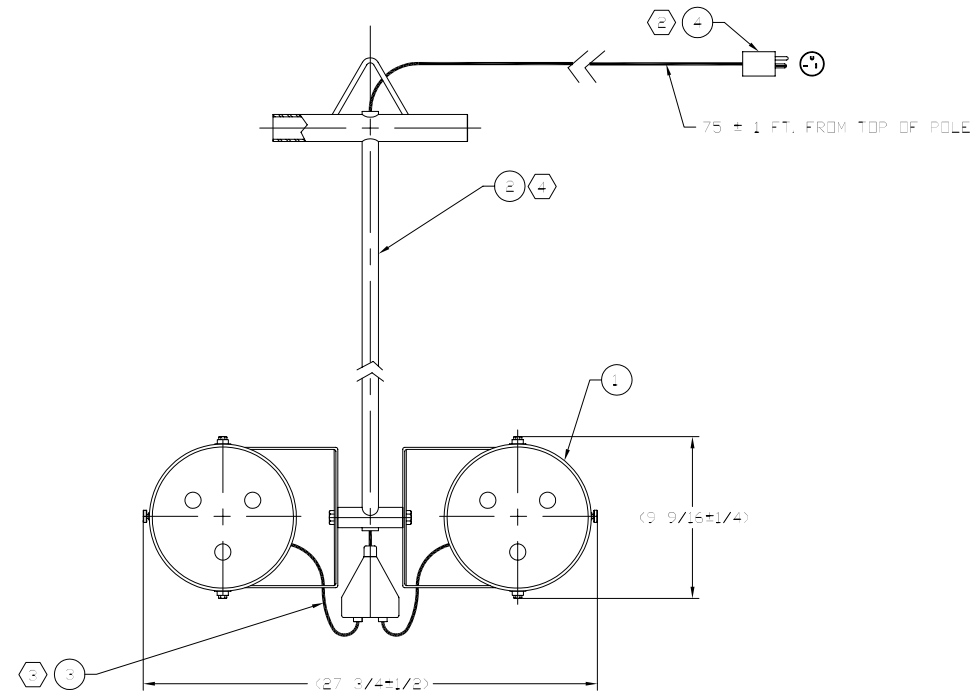
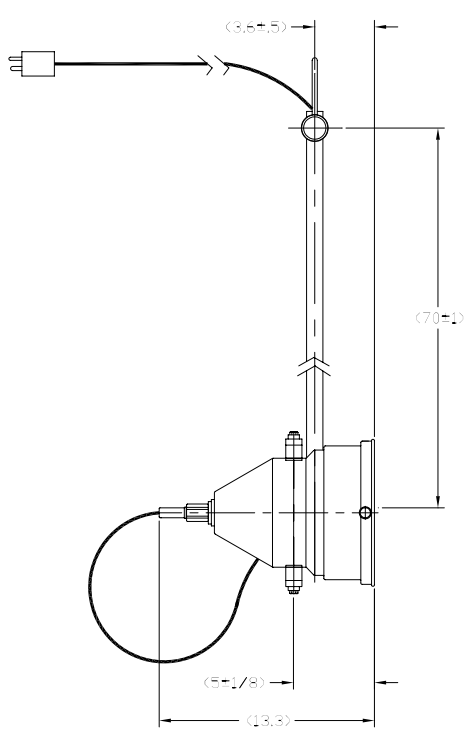


NOTICE
 The information shown here is not intended to be used as a substitute for the original drawing. It is provided for your information only. It is not to be used for manufacturing or for any other purpose without the approval of the originator of the drawing.

REV. NO.		DESCRIPTION	DATE	APPROVED
1	1	INITIAL DRAWING RELEASE		

- NOTES:
1. REMOVE THE BASE (05A-011) AND BOLT (23A-011) FROM KELVIN LIGHT PRIOR TO ASSY.
 2. PASS THE CABLE THROUGH THE POLE PRIOR TO CONNECTING ITEM 4.
 3. DIFFERENT TYPES OF CABLE ARE AVAILABLE IF REQ'D.
 4. DIFFERENT LENGTH OF POLE ARE AVAILABLE IF REQ'D, SEE DWG 44L-001.



NOTE: Y-MOLD HAS BEEN OMITTED IN THIS VIEW FOR CLARITY.

REV.	DATE	DESCRIPTION	MATERIAL	COMMENTS
1	1	INITIAL DRAWING RELEASE		

MATERIAL	
TREATMENT	
FINISH	
EXT. ASSY.	USED ON
APPLICATION	

CONTRACT NUMBER	
DESIGN	J.KO
DATE	950221
CHKD.	D.MILLER
DATE	950222
ENGR.	W.VAIG
DATE	950222
DR.	J.MACLAQUE
DATE	950223
APPROV.	B.BIRNS
DATE	950227

BIRNS, Inc. Tel: 805-487-5393 Main Plant: 1720 FISKE PLACE, OXNARD CA, 93033	
TITLE: DUAL KELVIN & POLE	
SCALE: 1/4"	UNIT: IN.
DR. NO.: 58608	REV. NO.: 2501-01-10
SHEET: 1/4	TOTAL SHEETS: 1