

10-090-001-00



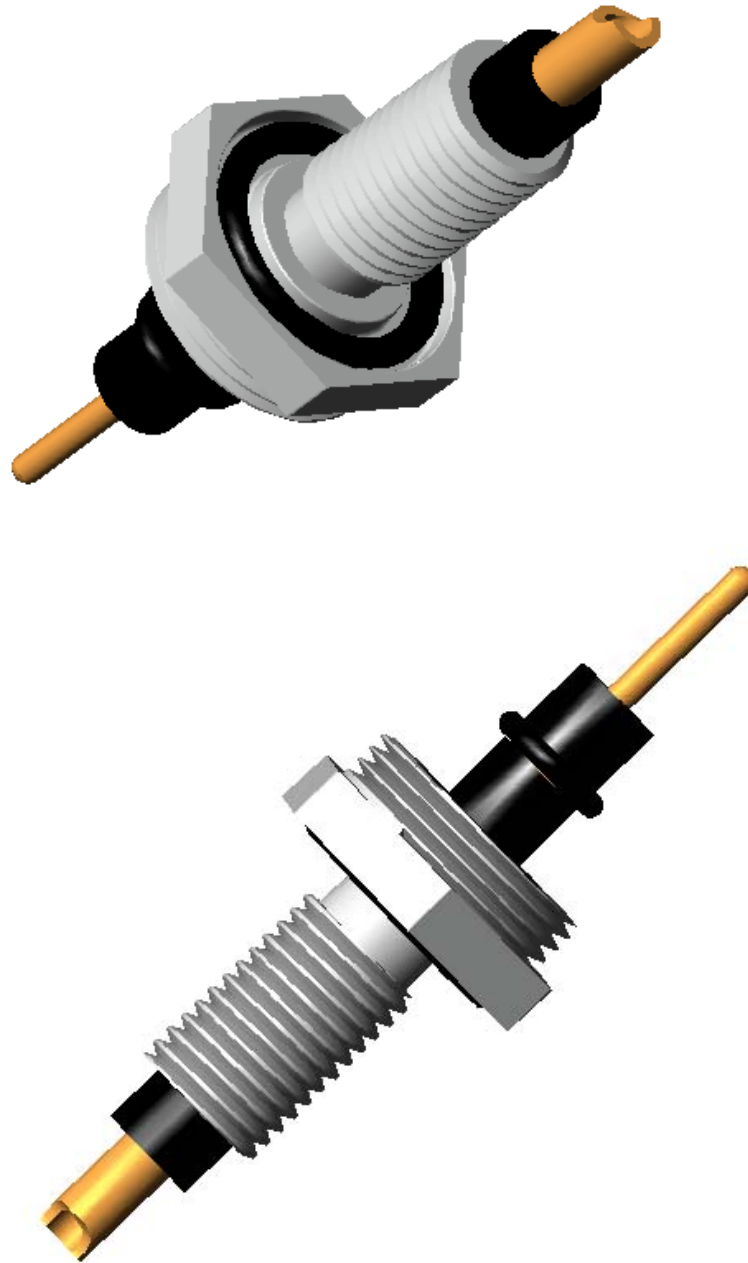
POLYMERIC SERIES

RMA-BCL-Ti

SPECIFICATIONS:

BODY MATERIAL: 316 Titanium 6AL4V & Glass reinforced epoxy (GRE)

ELECTRICAL CONTACTS: Brass, gold plated



RMA-BCL-Ti

1720 Fiske Place Oxnard, California 93033-1863
Phone: (805) 487-5393 FAX: (805) 487-0427 Email: service@birns.com
www.birns.com

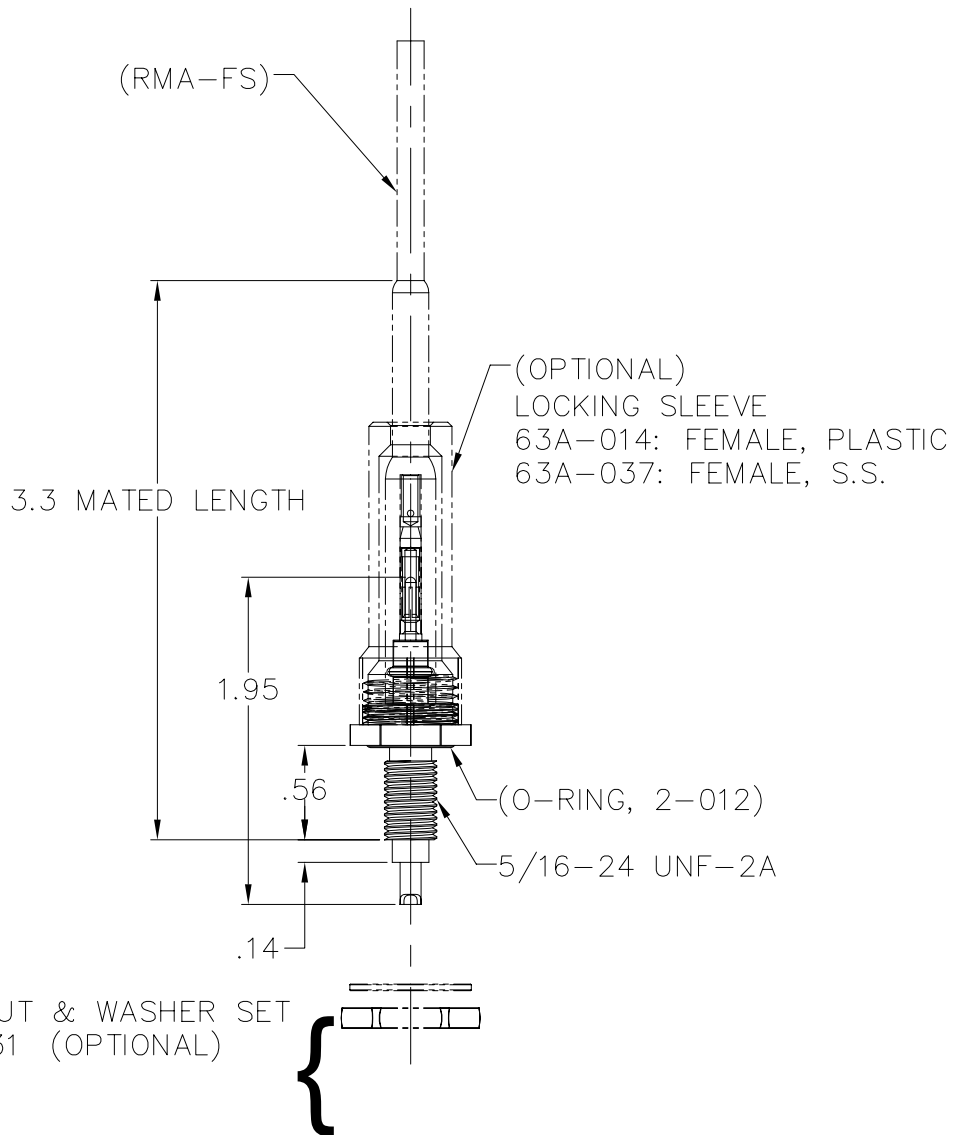
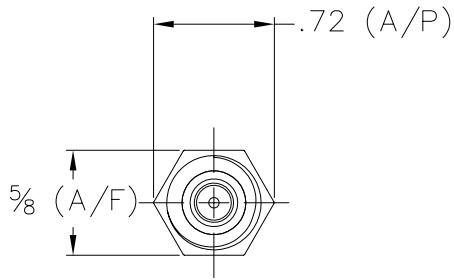
USA Toll-Free:
888-BIRNS-88

10-090-002-00



POLYMERIC SERIES

RMA-BCL-Ti



RMA-BCL-Ti

1720 Fiske Place Oxnard, California 93033-1863
Phone: (805) 487-5393 FAX: (805) 487-0427 Email: service@birns.com
www.birns.com

USA Toll-Free:
888-BIRNS-88

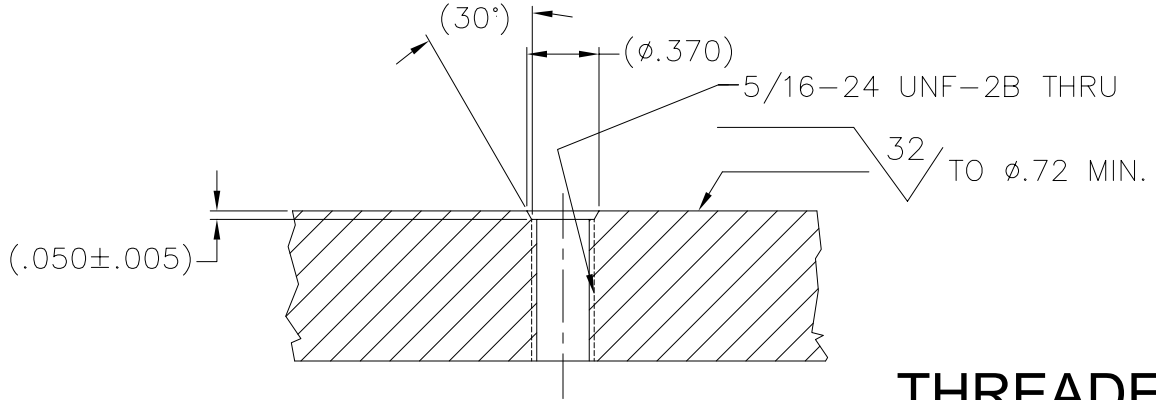
10-080-003-00



POLYMERIC
SERIES

RMA-BCL

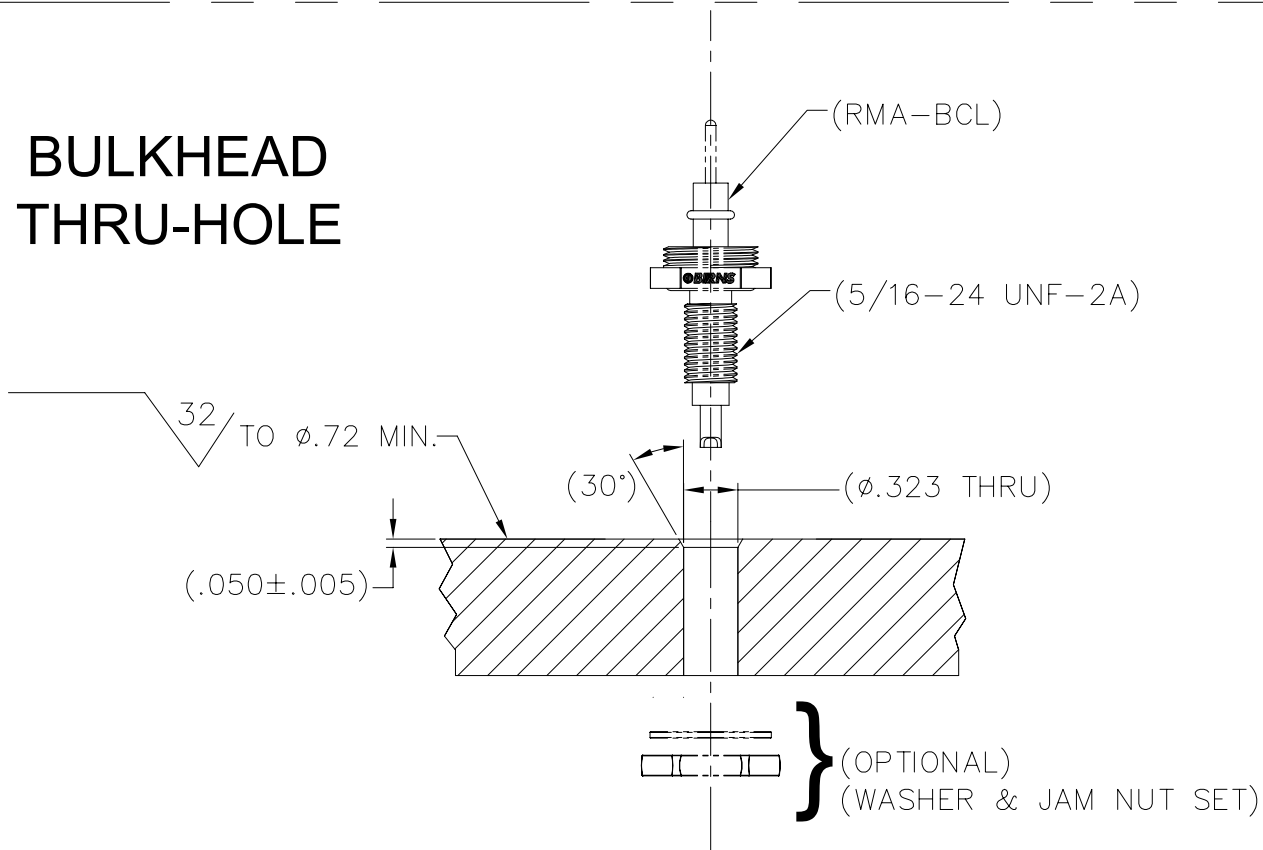
RECOMMENDED MOUNTING CONFIGURATIONS



THREADED
BULKHEAD
HOLE

RMA-BCL

BULKHEAD
THRU-HOLE



1720 Fiske Place Oxnard, California 93033-1863
Phone: (805) 487-5393 FAX: (805) 487-0427 Email: service@birns.com
www.birns.com

USA Toll-Free:
888-BIRNS-88