

10-070-001-00



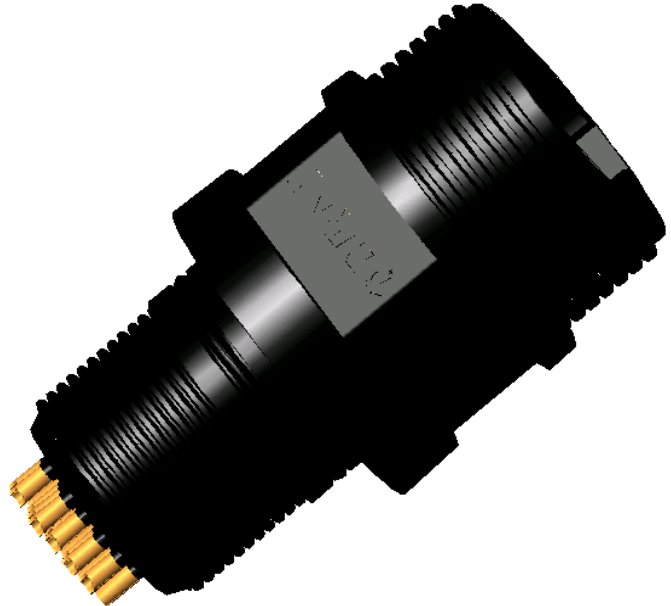
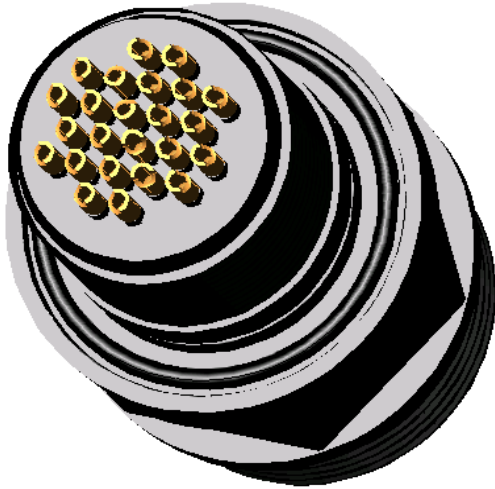
POLYMERIC SERIES

XSM-BCR

SPECIFICATIONS:

BODY MATERIAL: Glass reinforced epoxy (GRE)

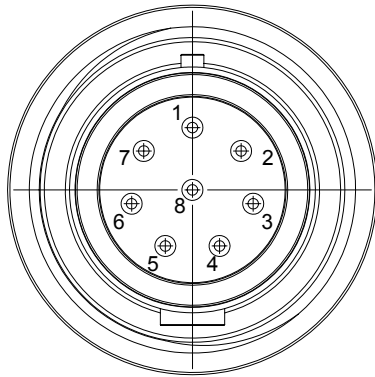
ELECTRICAL CONTACTS: Brass, gold plated



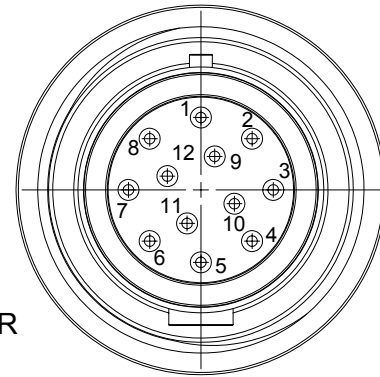
XSM-BCR

CONTACT CONFIGURATIONS; FACE VIEW

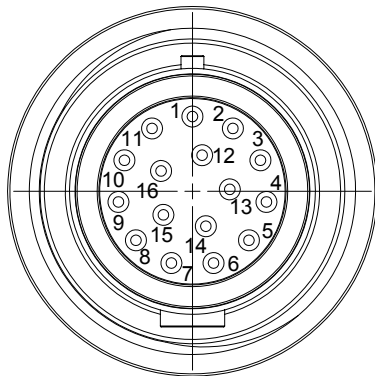
8 #14
XSM-8-BCR



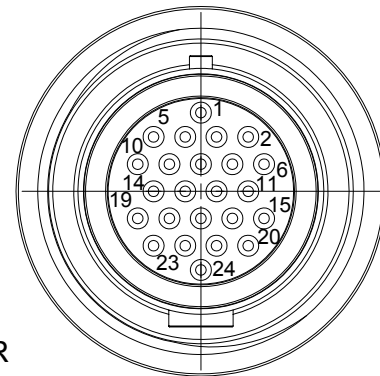
12 #14
XSM-12-BCR



16 #14
XSM-16-BCR



24 #16
XSM-24-BCR



1720 Fiske Place Oxnard, California 93033-1863
Phone: (805) 487-5393 FAX: (805) 487-0427 Email: service@birns.com
www.birns.com

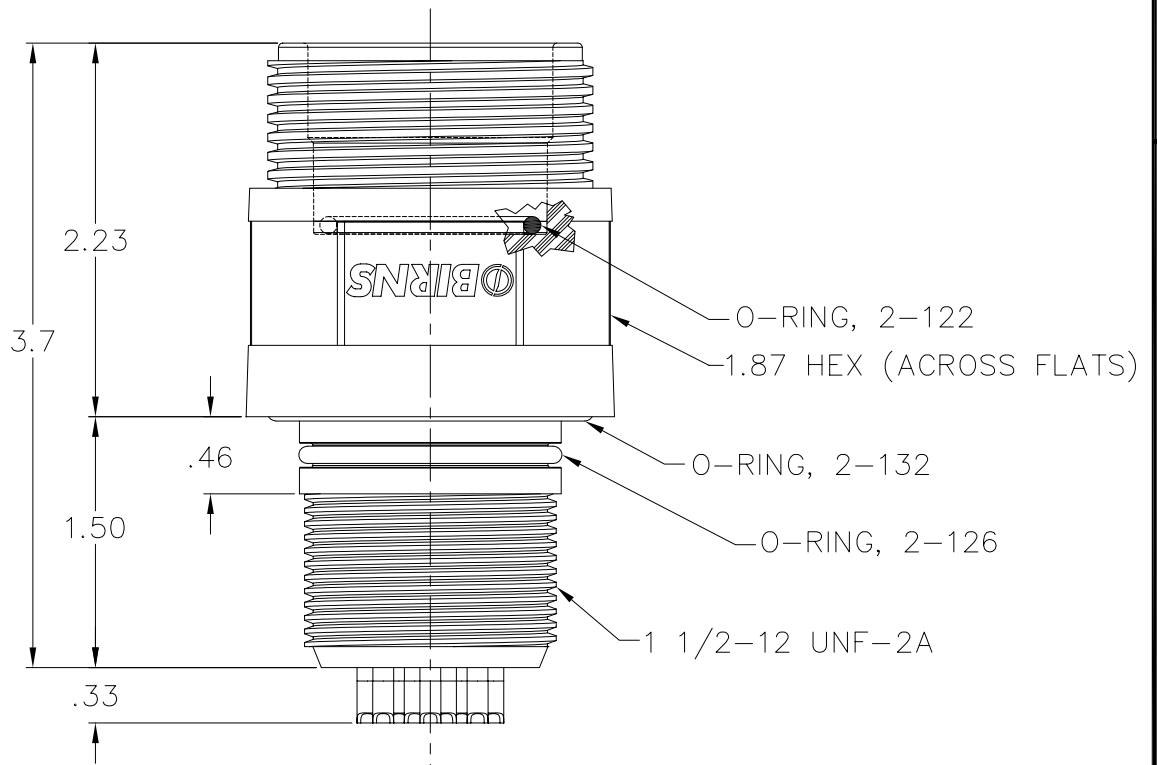
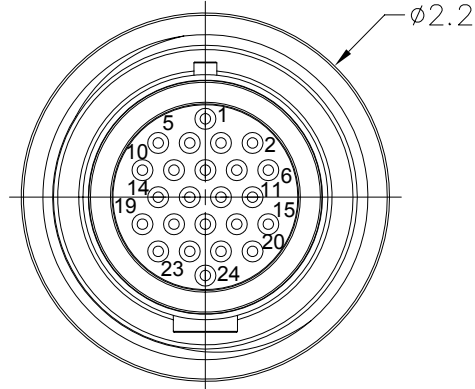
USA Toll-Free:
888-BIRNS-88

10-070-002-00



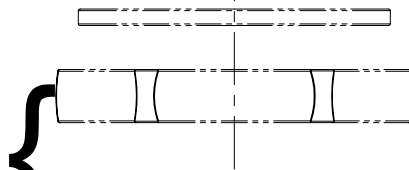
POLYMERIC SERIES

XSM-BCR



XSM-BCR

JAM NUT & WASHER SET
24I-130 (OPTIONAL)



1720 Fiske Place Canard, California 93033-1863
Phone: (805) 487-5393 FAX: (805) 487-0427 Email: service@birns.com
www.birns.com

USA Toll-Free:
888-BIRNS-88

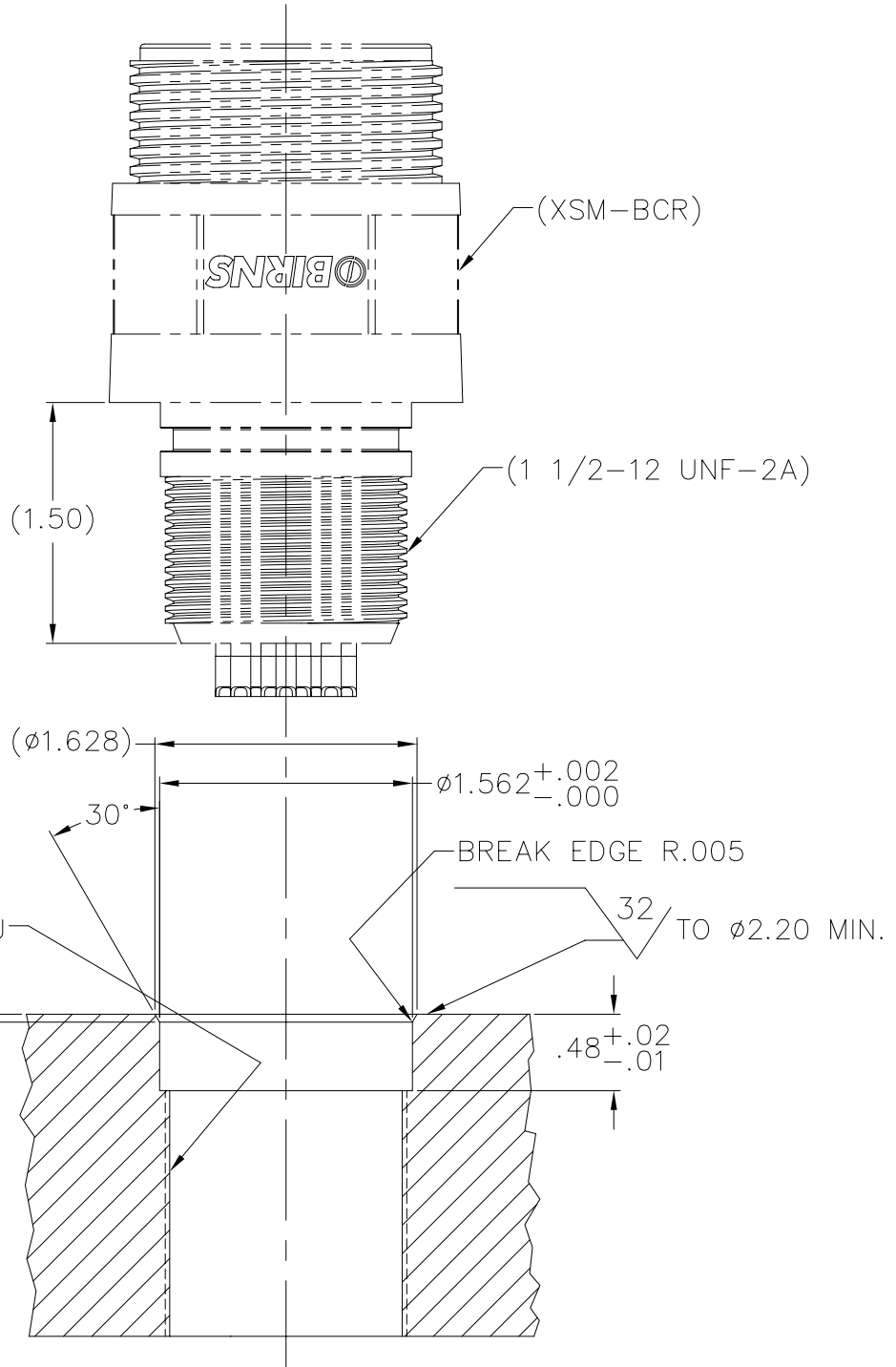
10-070-003-00



POLYMERIC
SERIES

XSM-BCR

RECOMMENDED MOUNTING CONFIGURATIONS



THREADED
BULKHEAD
HOLE

XSM-BCR

1720 Fiske Place Oxnard, California 93033-1863
Phone: (805) 487-5393 FAX: (805) 487-0427 Email: service@birns.com
www.birns.com

USA Toll-Free:
888-BIRNS-88