

10-060-001-00



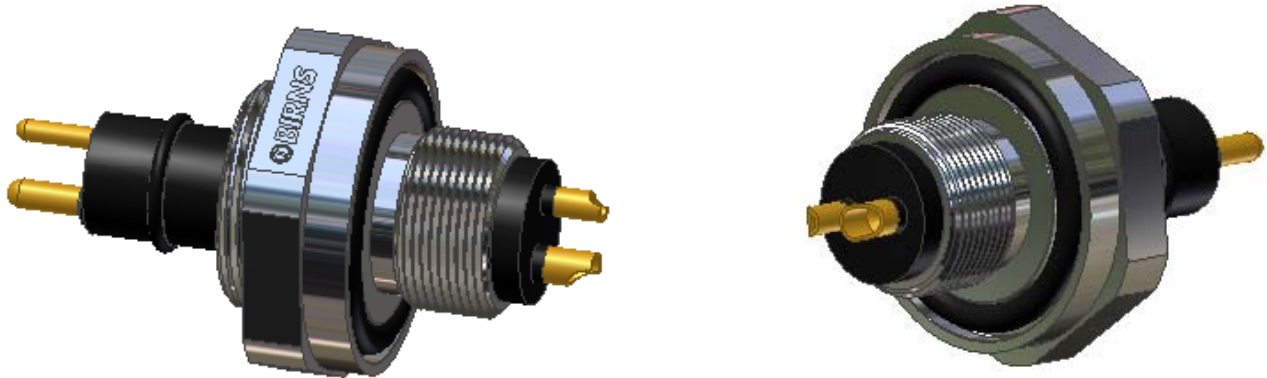
# POLYMERIC SERIES

## RMG-BCL

### SPECIFICATIONS:

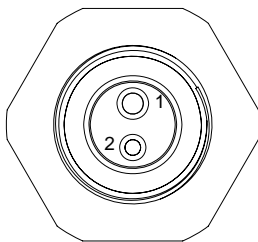
BODY MATERIAL: AISI 316 Stainless Steel & 52G-013 Glass reinforced epoxy (GRE)

ELECTRICAL CONTACTS: Brass 360, gold plated

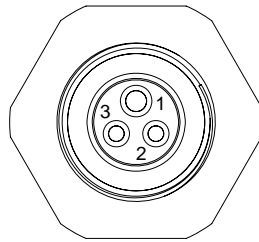


RMG-BCL

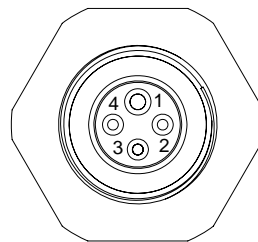
## CONTACT CONFIGURATIONS FACE VIEWS



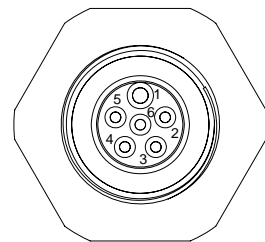
1-14, 1-10  
RMG-2-BCL



1-10, 2-14  
RMG-3-BCL



1-14, 3-10  
RMG-4-BCL



1-14, 5-16  
RMG-6-BCL

1720 Fiske Place Oxnard, California 93033-1863  
Phone: (805) 487-5393 FAX: (805) 487-0427 Email: [service@birns.com](mailto:service@birns.com)  
[www.birns.com](http://www.birns.com)

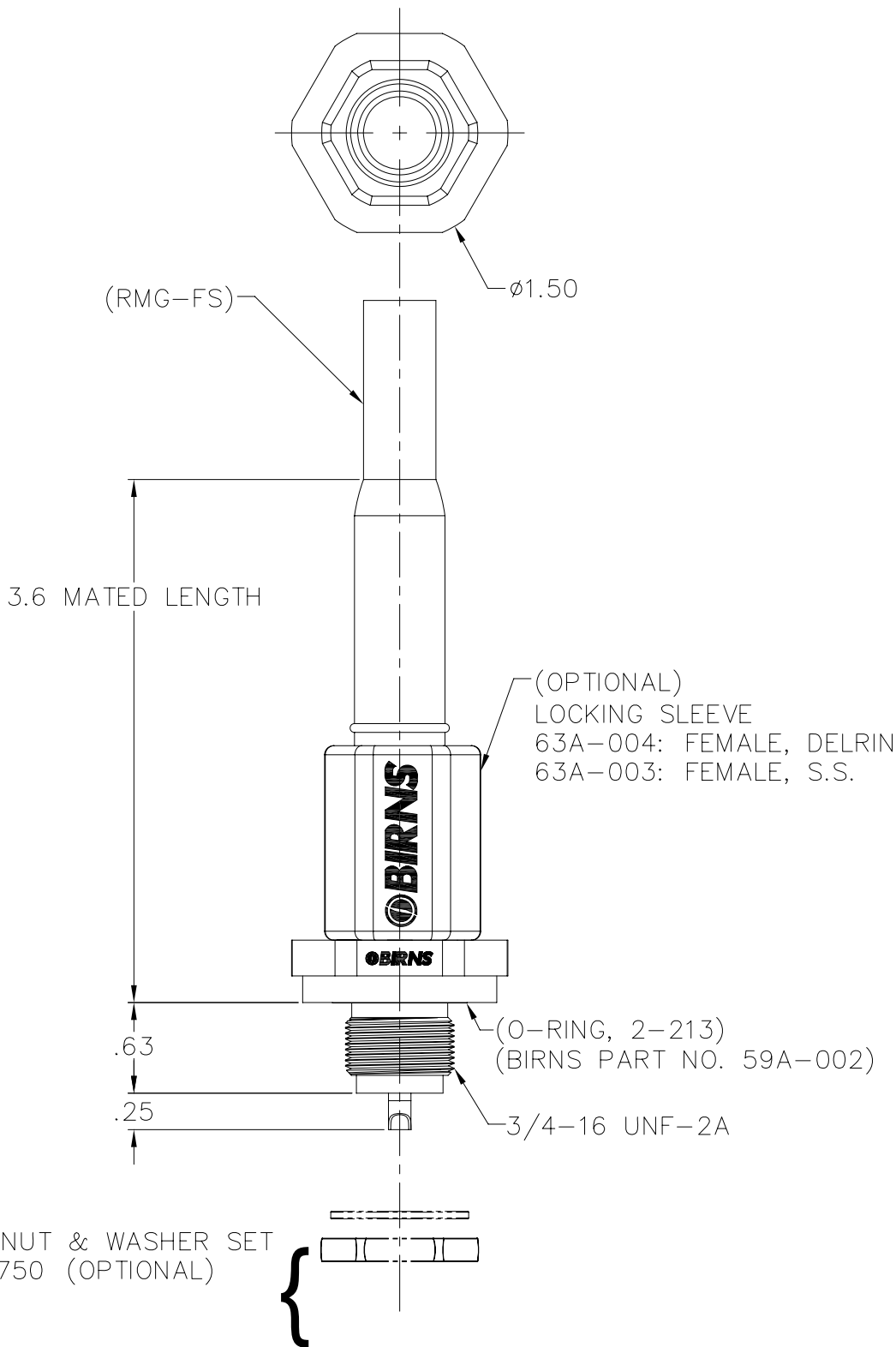
USA Toll-Free:  
888-BIRNS-88

10-060-002-00



# POLYMERIC SERIES

## RMG-BCL



RMG-BCL

1720 Fiske Place Oxnard, California 93033-1863  
 Phone: (805) 487-5393 FAX: (805) 487-0427 Email: [service@birns.com](mailto:service@birns.com)  
[www.birns.com](http://www.birns.com)

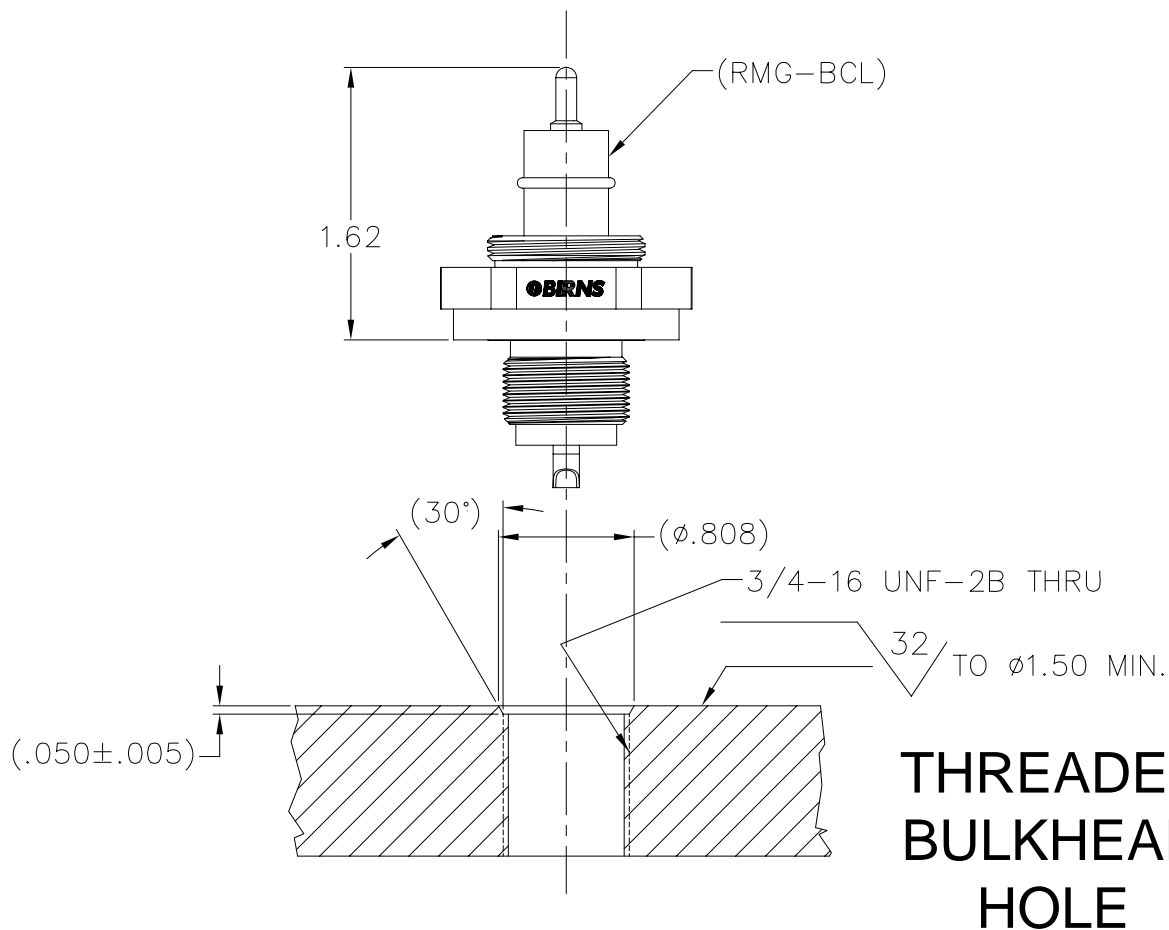
USA Toll-Free:  
 888-BIRNS-88



**POLYMERIC  
SERIES**

**RMG-BCL**

MOUNTING CONFIGURATION



**RMG-BCL**

1720 Fiske Place Oxnard, California 93033-1863  
 Phone: (805) 487-5393 FAX: (805) 487-0427 Email: [service@birns.com](mailto:service@birns.com)  
[www.birns.com](http://www.birns.com)

USA Toll-Free:  
 888-BIRNS-88