

10-055-001-00



POLYMERIC SERIES

XSK-BCL

SPECIFICATIONS:

BODY: Glass reinforced epoxy (GRE)

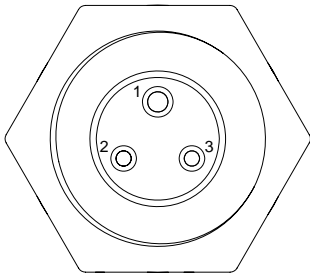
PINS: Brass, gold plated

MATES TO: RMK-FS

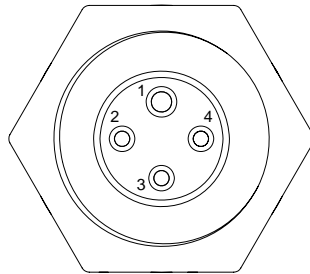


XSK-BCL

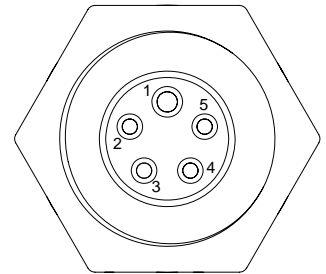
CONTACT CONFIGURATIONS



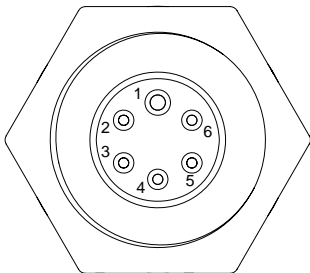
1-10, 2-14
XSK-3-BCL



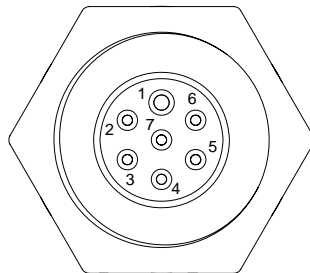
1-10, 3-14
XSK-4-BCL



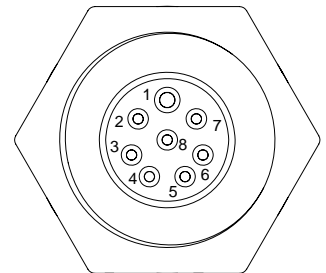
1-10, 4-14
XSK-5-BCL



1-14, 5-16
XSK-6-BCL



1-14, 6-16
XSK-7-BCL



1-14, 7-16
XSK-8-BCL

1720 Fiske Place Oxnard, California 93033-1863
Phone: (805) 487-5393 FAX: (805) 487-0427 Email: service@birns.com
www.birns.com

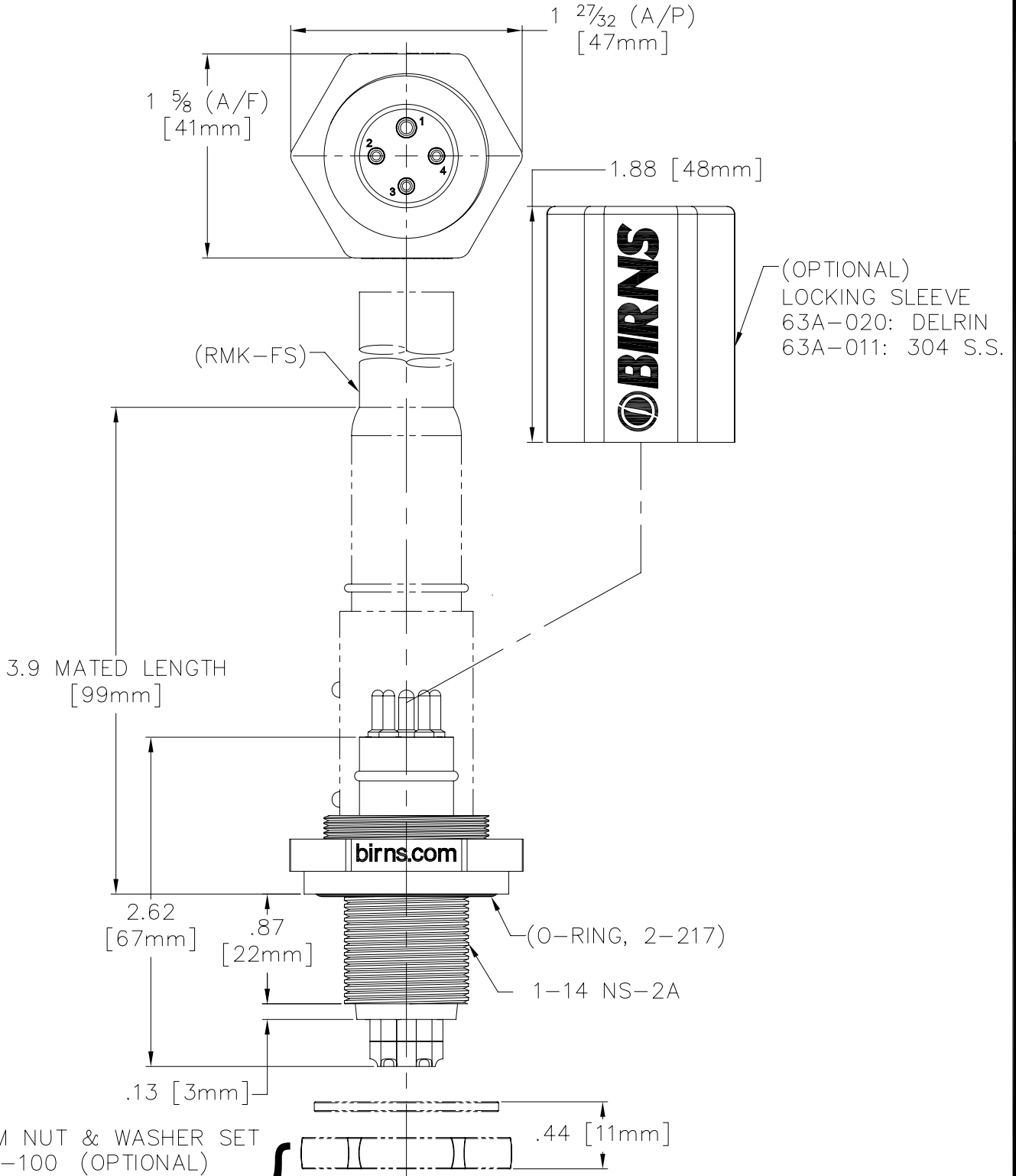
USA Toll-Free:
888-BIRNS-88

10-055-002-00



POLYMERIC SERIES

XSK-BCL



XSK-BCL

1720 Fiske Place Oxnard, California 93033-1863
 Phone: (805) 487-5393 FAX: (805) 487-0427 Email: service@birns.com
 www.birns.com

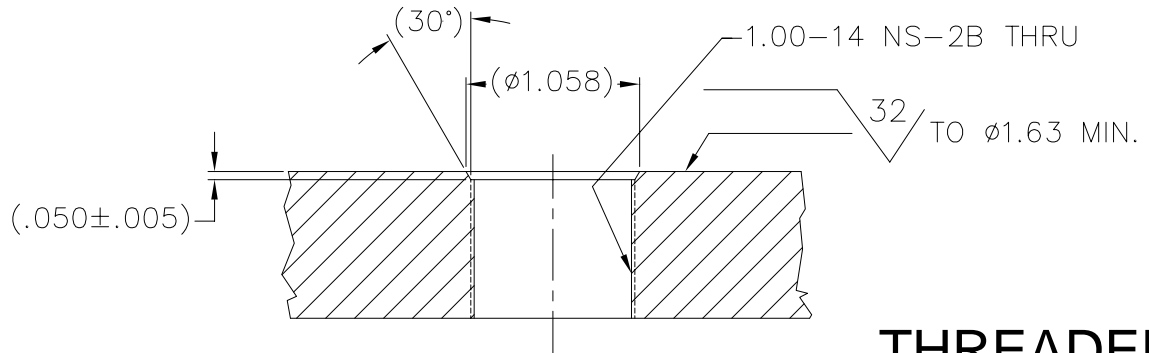
USA Toll-Free:
 888-BIRNS-88



**POLYMERIC
SERIES**

XSK-BCL

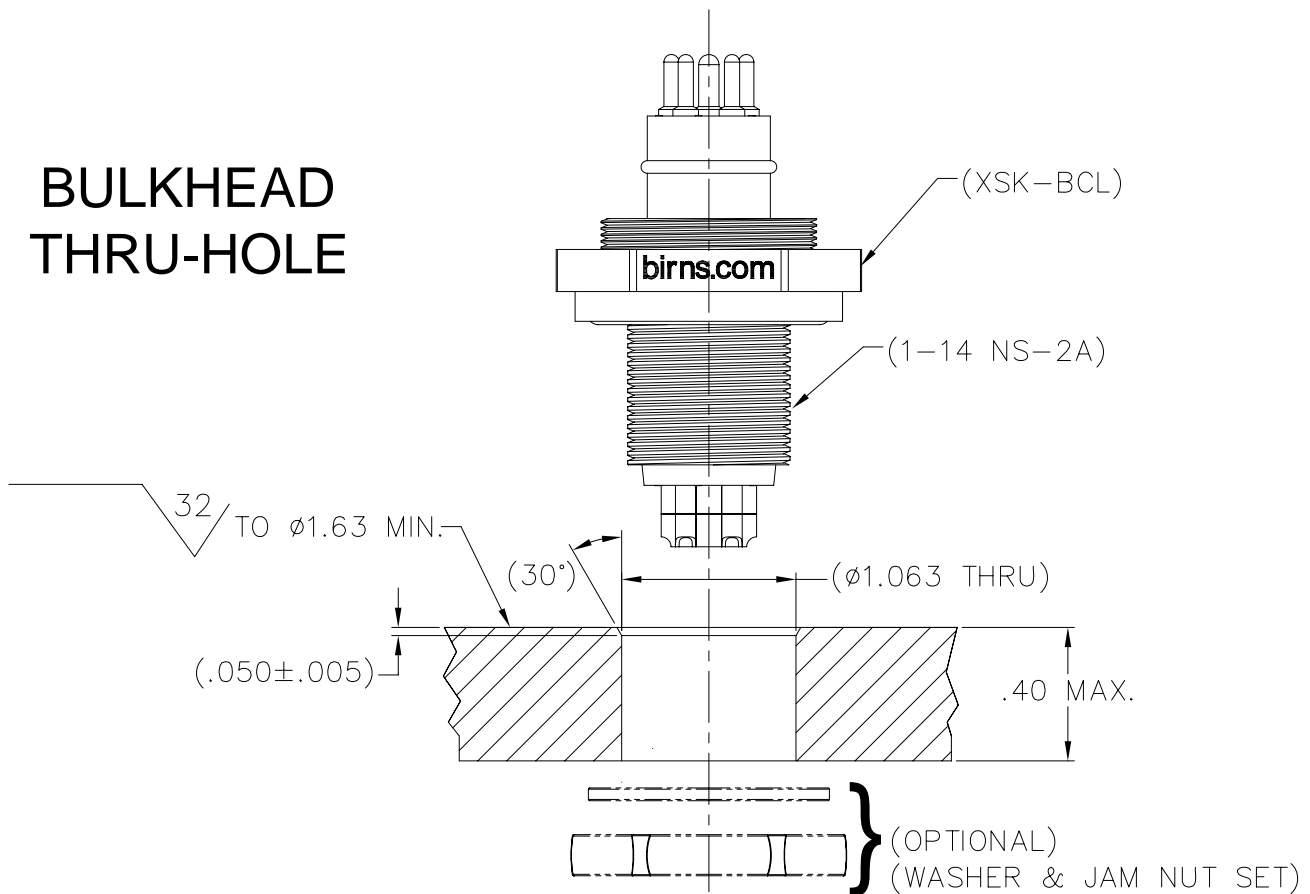
RECOMMENDED MOUNTING CONFIGURATIONS



**THREADED
BULKHEAD
HOLE**

XSK-BCL

**BULKHEAD
THRU-HOLE**



1720 Fiske Place Oxnard, California 93033-1863
 Phone: (805) 487-5393 FAX: (805) 487-0427 Email: service@birns.com
www.birns.com

USA Toll-Free:
 888-BIRNS-88