

10-028-001-00



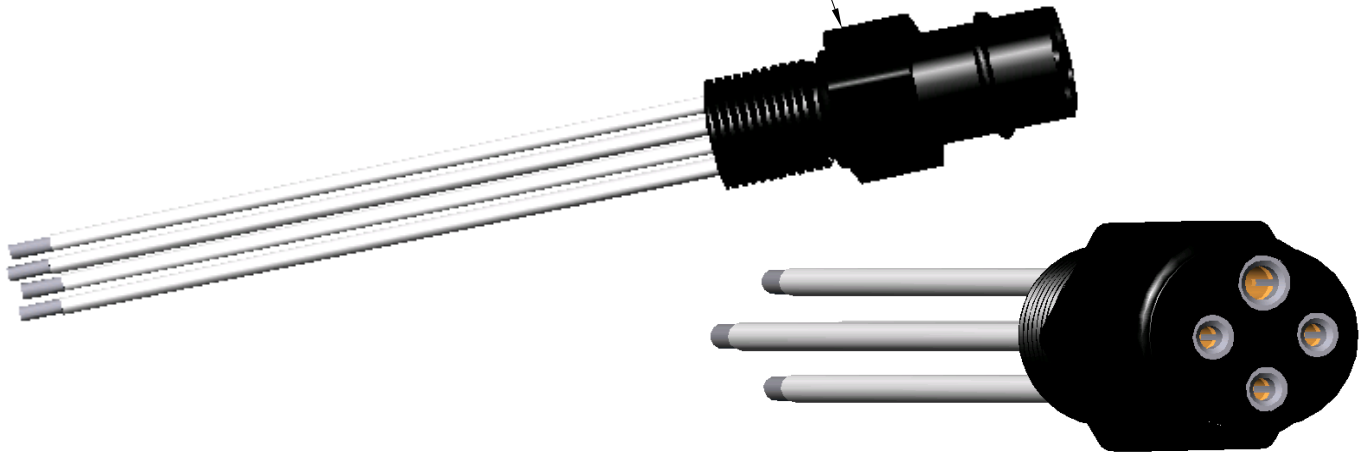
# POLYMERIC SERIES

## VSG-PBC

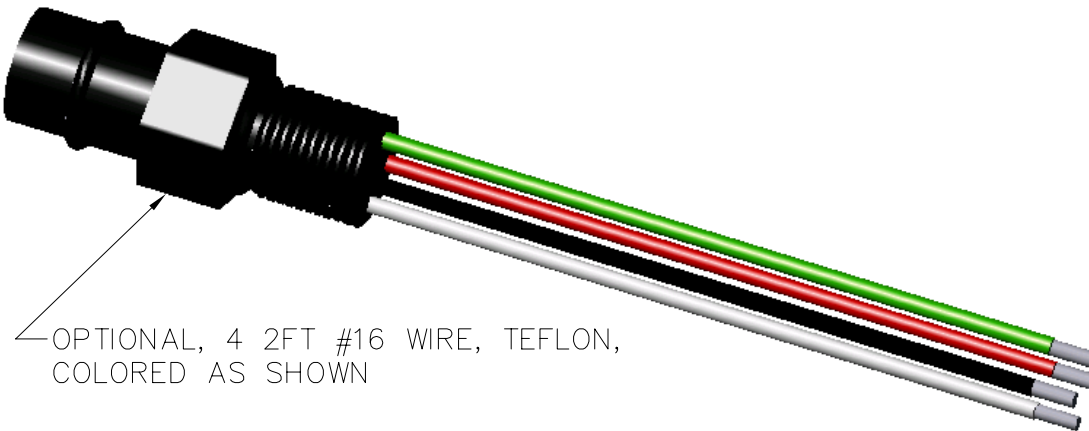
### SPECIFICATIONS:

BODY MATERIAL: Glass reinforced epoxy (GRE)  
ELECTRICAL CONTACTS: Brass, gold plated

STD, 4 2FT #16 WIRE, TEFLON, WHITE



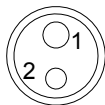
FACE VIEW



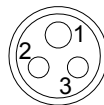
OPTIONAL, 4 2FT #16 WIRE, TEFLON, COLORED AS SHOWN

VSG-PBC

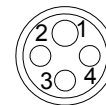
## CONTACT CONFIGURATIONS



1#14 1#16  
VSG-2-PBC



1#14 2#16  
VSG-3-PBC



1#14 3#16  
VSG-4-PBC

1720 Fiske Place Oxnard, California 93033-1863  
Phone: (805) 487-5393 FAX: (805) 487-0427 Email: [service@birns.com](mailto:service@birns.com)  
[www.birns.com](http://www.birns.com)

USA Toll-Free:  
888-BIRNS-88

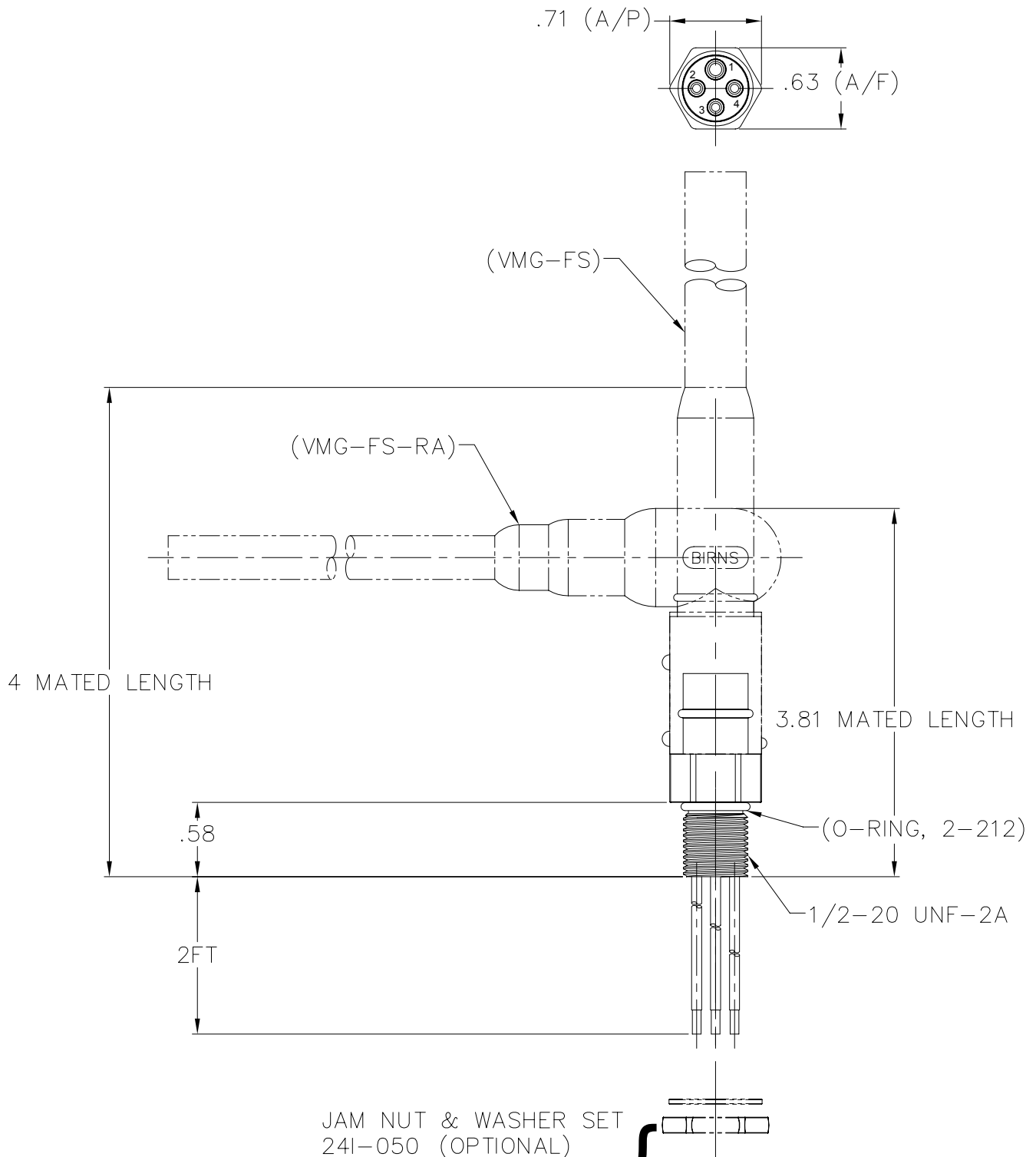
SPECIFICATIONS SUBJECT TO CHANGE WITHOUT NOTICE.

10-028-002-00



# POLYMERIC SERIES

## VSG-PBC



VSG-PBC

1720 Fiske Place Oxnard, California 93033-1863  
Phone: (805) 487-5393 FAX: (805) 487-0427 Email: [service@birns.com](mailto:service@birns.com)  
[www.birns.com](http://www.birns.com)

USA Toll-Free:  
888-BIRNS-88