



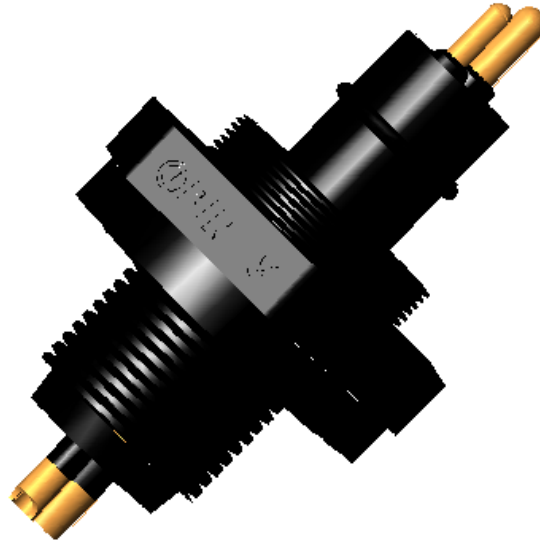
POLYMERIC SERIES

XSG-BCL

SPECIFICATIONS:

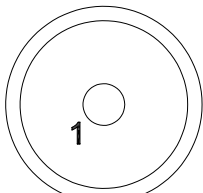
BODY MATERIAL: Glass reinforced epoxy (GRE)

ELECTRICAL CONTACTS: Brass, gold plated

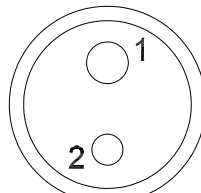


XSG-BCL

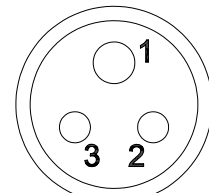
CONTACT CONFIGURATIONS



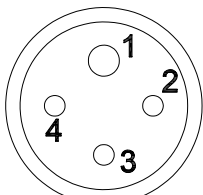
1#10
XSG-1-BCL



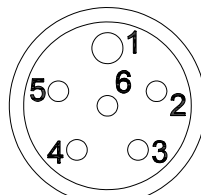
1#10, 1#14
XSG-2-BCL



1#10, 2#14
XSG-3-BCL



1#14, 3#16
XSG-4-BCL



1#14, 5#16
XSG-6-BCL

1720 Fiske Place Oxnard, California 93033-1863
Phone: (805) 487-5393 FAX: (805) 487-0427 Email: service@birns.com
www.birns.com

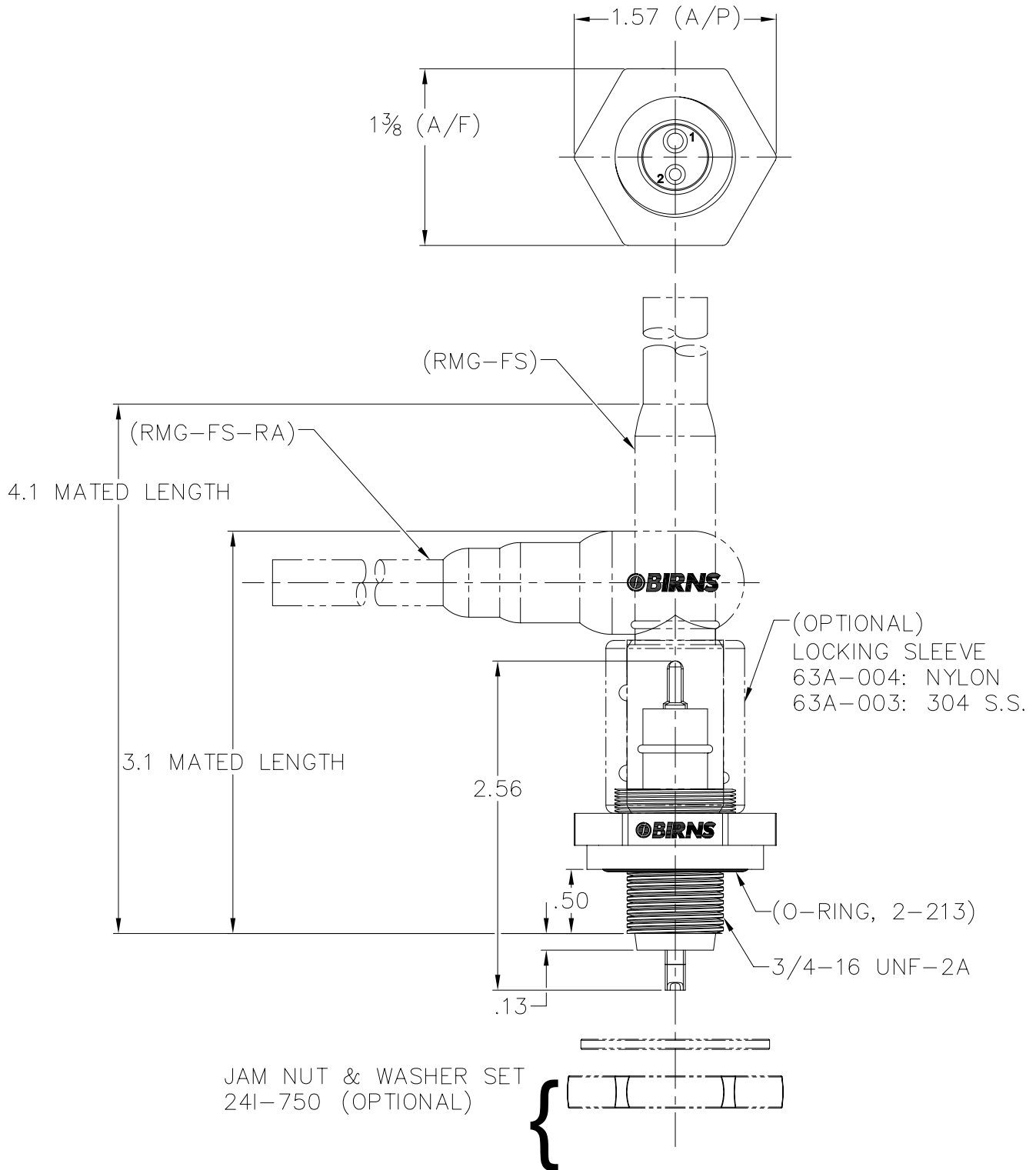
USA Toll-Free:
888-BIRNS-88



**POLYMERIC
SERIES**

XSG-BCL

XSG-BCL



1720 Fiske Place Oxnard, California 93033-1863
 Phone: (805) 487-5393 FAX: (805) 487-0427 Email: service@birns.com
 www.birns.com

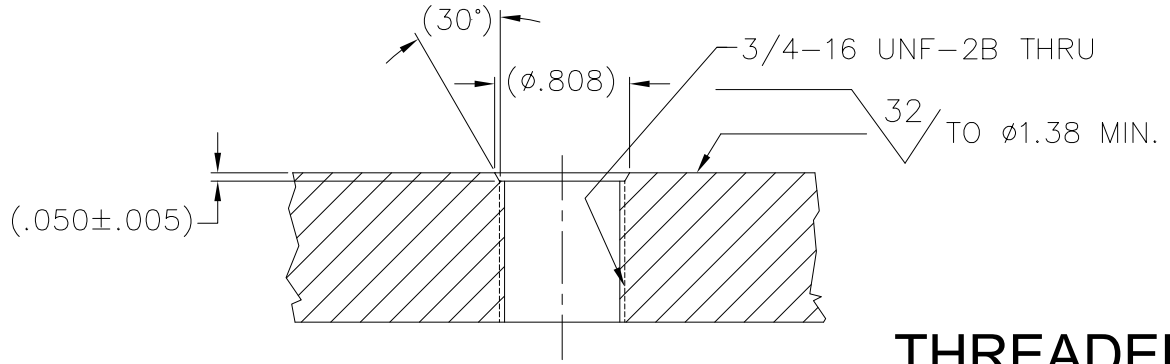
USA Toll-Free:
 888-BIRNS-88



**POLYMERIC
SERIES**

XSG-BCL

RECOMMENDED MOUNTING CONFIGURATIONS



**THREADED
BULKHEAD
HOLE**

XSG-BCL

**BULKHEAD
THRU-HOLE**

