

# BIRNS NUCLEAR XT120-N



*Eye and tilt adjustable view*



*Model 5652 in 304 stainless steel*

- *Perfect for underwater remote viewing*
- *Safe and easy to decontaminate and maintain*
- *30-second relamping*

# BIRNS NUCLEAR XT120-N

With a diameter of only 76mm, the BIRNS XT120-N is perfect for underwater remote viewing. Its adjustable-intensity beam is fully compatible with black and white or colour filming or videotaping, while its beam angle can be either 52 or 74 degrees to suit your application.

### Safe, Easy Maintenance

The XT120-N's surface is super-smooth for thorough decontamination. It has no exposed threads or crevices to catch radioactive debris, no sharp edges to tear worker's clothing, no solder joints to



No sharp edges and no crevices to catch radioactive debris

break and no wires to disengage.

### Fast, Brilliant Relamping

The XT120-N relamps in 30 seconds, without tools, with inexpensive and readily available minican lamps. These brilliant lamps operate on 120 or 240 volts, (100, 150 and 250 watts), and have rated lifetimes as long as 2000 hours!\*

The BIRNS XT120-N comes with a stainless steel pan-and-tilt mounting yoke, or it can be suspended by its cable or with our Suspension Assembly. The XT120-N is now available in 304 stainless steel as well as the standard aluminium.

\*These ratings are determined by the lamp manufacturer under laboratory conditions, and are average values. Your own field results may vary.



30-second tool-free relamping



Inexpensive and readily available minican lamps. Note: absence of wires; earth contact through connector threads

## TECHNICAL SPECIFICATIONS

### MATERIALS

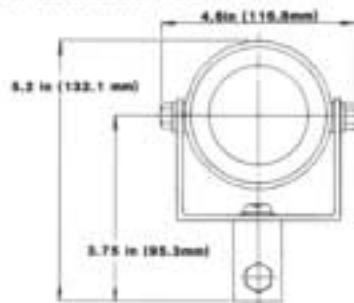
		RADIATION RESISTANCE
Housing:	Model 5651: 6061 (H30) clear-anodised aluminium	
	Model 5652: 304 stainless steel	
Lens:	tempered glass	10 <sup>4</sup> Gy*
Seals:	BUNA N (standard); high-temperature seals also available	10 <sup>5</sup> Gy
Connector:	glass-reinforced epoxy	10 <sup>6</sup> Gy
Cable:	AQUAPRENE neoprene-jacketed underwater cable, type 50	10 <sup>5</sup> Gy
Cable Locking Sleeve:	type 304 stainless steel	

### LIGHTING

Beam Angle: 52 degrees (clear lens)  
74 degrees (frosted lens)  
Colour Temperature: 3200K

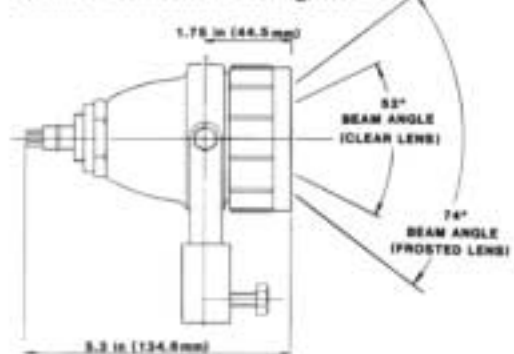
### PHYSICAL

Outside Diameter: 3.0" (76mm)  
Length: 5.3" (135mm)  
Weight in Air: with yoke: 1.1lb (0.5kg)  
without yoke: 1.0lb (0.45kg)  
Weight in Water: with yoke: 5oz (0.14kg)  
without yoke: 4oz (0.11kg)  
Height with yoke: 4.5" (114mm)  
Width with yoke: 4.6" (117mm)  
Depth Rating: 330ft (100m)  
Model No. 5651 (standard),  
Model No. 5652 (stainless steel)



### ELECTRICAL

Lamp Voltage: 120 or 240 volts AC or DC  
Wattage: 100, 150 or 250 watts  
Housing Earthed  
Cable Current Rating: 15 amps  
Cable Voltage Rating: 600 volts  
Cable Type: 16 AWG, 3 multistrand conductors  
Connector Arc Resistance (between contacts): 500 volts  
Arc Resistance (between connector to housing): 1000 volts



\* We now use the SI unit for absorbed dose, the gray (Gy), where 1 Gy = 1 J/kg = 100 rad, and 1 rad = 100 erg/gm.

1720 Fiske Place • Oxnard, California 93033-1863  
Phone: (805) 487-5393 • FAX: (805) 487-0427 • Email: service@birns.com

www.birns.com

USA Toll-Free:  
888-BIRNS-88