

BIRNS SOR

LIGHTWEIGHT DEEP SEA LIGHT

Looking for a rugged and dependable light for your ROV? Look no further! All metal-tempered for extra strength - the Birns SOR's can really withstand abuse.



Body parts of the durable SOR do not corrode even after years in seawater. 1500 metres depth capability is standard (3500 metres, and an amazing 7600 metres depth ratings are available as options). And yet, the SOR is light-weight - only 425 grams (15 oz) in fresh water.

The Birns SOR is bright as well, and provides an even 100°×100° coverage for wide-angled video cameras. We paint its reflector brilliant white enamel paint and bake it at high temperature to obtain a glossy reflective lustre. Unlike white plastic, the reflector will never discolour, providing many years of service, and a new reduced-drag reflector is also available.

The Birns SOR-II combines the soft, wide beam of the SOR with the super-fast relamping of the Birns XT120. Utilizing the Birns exclusive "JB" connector, the SOR-II eliminates all wires, fragile solder connections, screw loosening, and a host of maintenance problems associated with the old "socket and solder" design.

Further, the JB connector in the SOR-II allows for easy 30-second relamping. The SOR-II never needs to be removed from the vehicle or from its support. As the connector is threaded out, the extended lamp comes with it, a fresh lamp is inserted, and the JB connector is threaded back into the housing. It's that simple.

The SOR-II also eliminates one sealing point and achieves a weight reduction of 340 grams by careful design that does away with seven parts.

The SOR range - no maintenance, super-fast relamping, and superior design. These are the kind of things people have come to expect from Birns - The Lighting Experts.

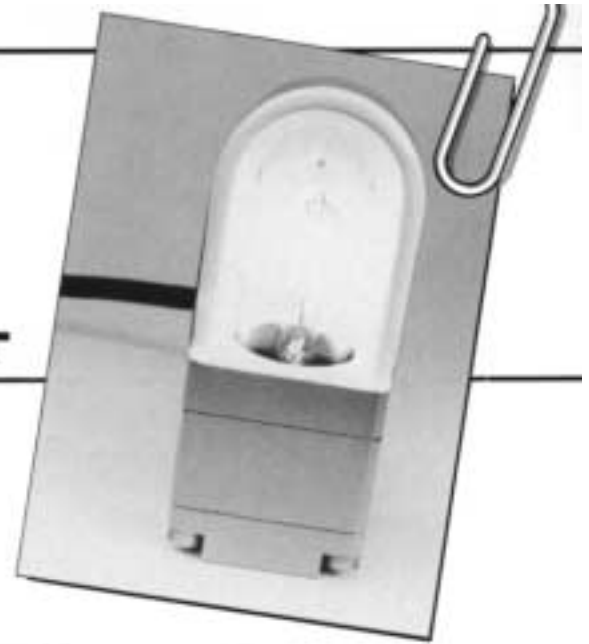


30 second tool-free relamping



BIRNS SOR

LIGHTWEIGHT DEEP SEA LIGHT



TECHNICAL SPECIFICATIONS

MATERIALS

Housing	Tempered Aluminium
Lens	Tempered glass
Bolts	Stainless Steel
Cable	Neoprene jacket
Connector	Glass-reinforced epoxy

ELECTRICAL

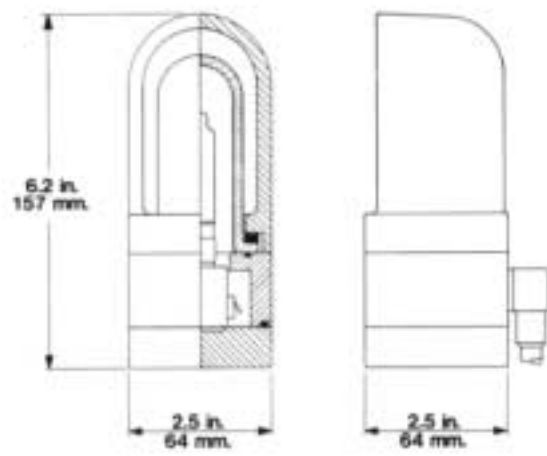
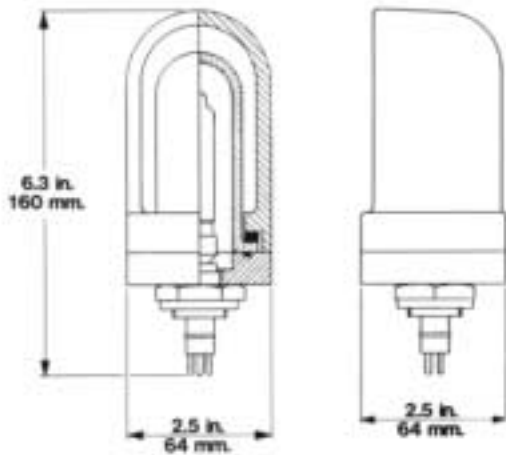
Voltages	120 or 240
Wattage	100, 150, 250 or 500
Housing Dielectricity	500 volts
Earthed	to 15 amps

DEPTH RATING

15,000ft (4500m)

PHYSICAL SOR-II

Length	6.3" (160mm)
Width	2.5" (64mm)
Weight in air	1lb 8oz (0.68kg)
Weight in water	12oz (0.34kg)



1720 Fiske Place • Oxnard, California 93033-1863
 Phone: (805) 487-5393 • FAX: (805) 487-0427 • Email: service@birns.com
www.birns.com

**USA Toll-Free:
888-BIRNS-88**